

BAJAJ
pulsar DTS-i
180 UG4

BAJAJ
pulsar DTS-i
180 UG4

Bajaj Auto Limited
Akurdi Pune 411 035 India
Tel +91 20 27472851
Fax +91 20 27407385
www.bajajauto.com

Spare Parts Catalogue

(EXPORT)



Notice



All information contained in this manual is based on the latest product information at the time of publication. Bajaj Auto Limited accepts no liability for any inaccuracies or omissions in this publication, although every possible care has been taken to make it as complete and accurate as possible. All procedures and specifications subject to change without prior notice. The right is reserved to make such changes at any time without prior notice and without incurring an obligation to make such changes to product manufactured previously. Contact your authorized Bajaj Dealer for the latest information on product improvements incorporated after this manual was issued.

DOC. NO.: 71111553

REV. 01, MAR. 2012

Foreword

We have pleasure in presenting the Spare Parts Catalogue for 'Pulsar 180 CC UG IV' Motorcycle. This catalogue has been specially designed to assist you in selecting the correct parts for procurement to maintain 100% availability.

The Bajaj spares are subjected to the stringent quality control standards to ensure longer life of the vehicle. It is therefore necessary that only the Genuine Bajaj Spares are used.

In a continual effort to improve Performance and Efficiency of the vehicles, Specifications, Diagrams, Illustrations and Part Numbers can change without notice. Consequently, the description in this Spare Parts Catalogue cannot therefore be final and binding on us.

The modifications / alterations which are carried out after the issue of this catalogue, will be conveyed to you through our Service Circulars. You are requested to make necessary corrections in the Parts Catalogue as per the circulars so as to keep your catalogue up-to-date. This will ensure the appropriate and speedy delivery of the Spare Parts as the order placed will bear the latest part numbers.

In case, if you need any technical assistance contact the concerned Regional Office or write to us on the following address :

Bajaj Auto Limited

International Business

Akurdi, Pune 411 035 India

Phone : 020-27472851

Fax : 020-27407395

Email : spdexports@bajajauto.co.in

Instructions

1. How to Read the Catalogue : Open the catalogue and from the pictorial index locate the group in which the part you want to find is present. Turn over to the concerned page number (as given by pictorial index). Now find out the figure of the part you wish to order. Write down the part number against that particular figure number from the text.

In case, if you have the part number and you need the other details, the part index can be used. The part index (at the end of the catalogue) will give you the figure and page number of the part you wish to order.

2. How to Order Spare Parts : The part number and the description of the part required should be invariably mentioned in the order as per the catalogue text.

The latest part number as conveyed through our service circulars should only appear on the order. In case of ordering painted components, colour shade of the components should be mentioned.

The quantity shown against the part number is the quantity per vehicle for that group so that particular quantity should be multiplied by the number of sets required.

3. Part Number System : We have used 8 digit system for part numbers. The model or hardware item is indicated by first two digits or alphanumeric, the next two or four digits indicate main group and the last four or two digits indicate serial number in main group or serial number or subgroup of fastener respectively. Thus the part numbers will be indicated by 2-2-4 or 2-4-2 digit system. Understanding this system will enable you to identify the spare parts easily.

4. Abbreviations : The following abbreviations are used in this catalogue.

Assly	Assembly	V	Volts
N.I.	Not illustrated	W	Watts
C'case	Crankcase	Accl.	Accelerator
Cyl	Cylinder	Comp.	Complete
O/s	Over size	Fr.	Front
Rr.	Rear	Std.	Standard
L	Length	A/t.	Alternate
R.H.	Right hand	L.H.	Left hand
Hex.	Hexagonal	AR	As required

Index

Plate No.	Description	Page No.
1	Cover Cylinder Head	2
2	Cylinder Head	4
3	Valve	6
4	Camshaft / Tensioner	8
5	Cylinder & Piston	10
6	Crankshaft	12
7	Balancer & Balancer Idler Gear	14
8	Transmission	16
9	Change Drum / Shift Fork	18
10	Gear Change Mechanism	20
11	Engine Assly. & Crankcase RH	22
12	Crankcase LH	24
13	Cover RH	26
14	Cover Magneto	28
15	Clutch	30
16	Carburettor	32
17	Air Cleaner Comp	34
18	Silencer Assly.	36
19	Oil Pump	38
20	Starter Assly.	40
21	Magneto / C.D.I. /H.T. Coil	42
22	Seat Assembly / Seat Lock	44
23	Engine Mounting	46
24	Frame & Frame Fittings	48
25	Swing Arm / Rear Shock Absorber	50
26	Rider Foot Rest	52
27	Pillion Foot Rest / Holder	54
28	Mudguard - Front & Rear	56
29	Stand Assembly	58
30	Tube / Tyre / Rim	60
31	Front Hub (For Disc Brake System)	62

Index

Plate No.	Description	Page No.
32	Front Master Cylinder	64
33	Front Disc Brake	66
34	Rear Hub	68
35	Rear Brake Padal	70
36	Handle Bar	72
37	Front Fork	74
38	Painted Parts & Decals	76, 78
39	Petrol Cock, Cap Tank & Gauge Fuel	80
40	Fitting Petrol Tank Spoiler, Side Cover, Seat Cover	82
41	Meter Assly	84
42	Control Cables	86
43	Chain Cover	88
44	Head Lamp & Fairing	90
45	Indicator Light Assly	92
46	Tail Lamp Assly / Front & Rear No.Plate	94
47	Electrical Component	96
48	Tool Kit	98
49	Accessories / Grab Handle	100

Pictorial Index

PLATE NO. : 1
Cover Cylinder Head

PAGE NO.
1 & 2

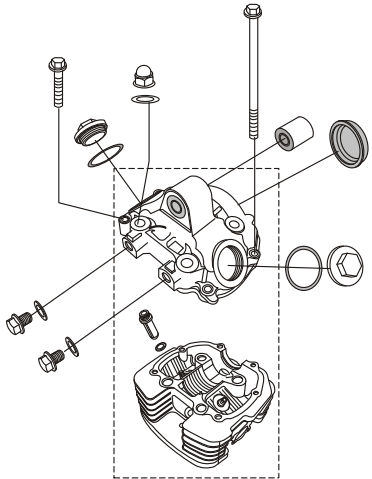


PLATE NO. : 2
Cylinder Head

PAGE NO.
3 & 4

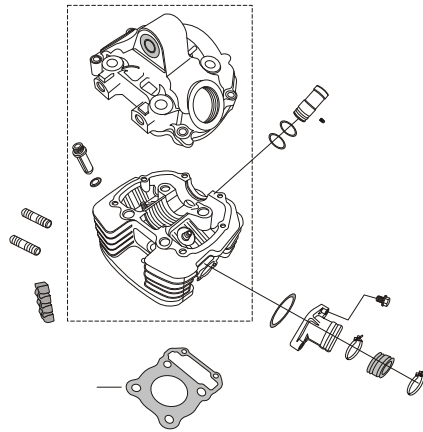


PLATE NO. : 3
VALVE

PAGE NO.
5 & 6

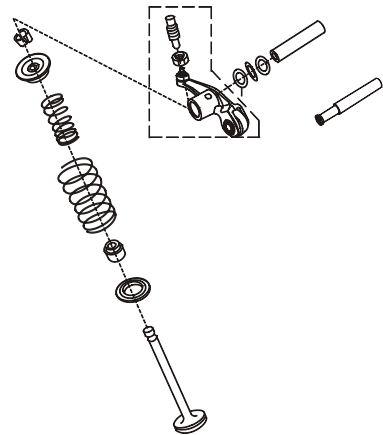
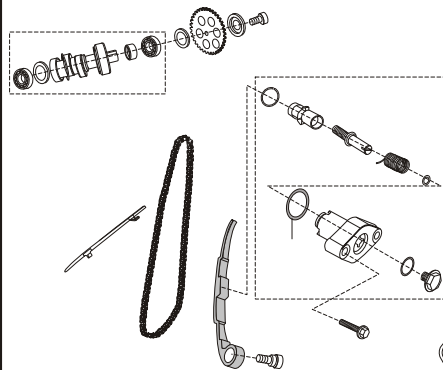


PLATE NO. : 4
Camshaft / Tensioner

PAGE NO.
7 & 8



Pictorial Index

PLATE NO. : 5
CYLINDER & PISTON

PAGE NO.
9 & 10

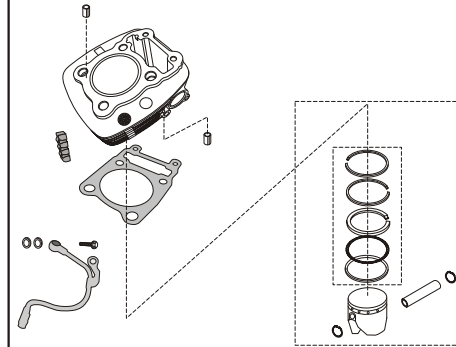


PLATE NO. : 6
CRANKSHAFT

PAGE NO.
11 & 12

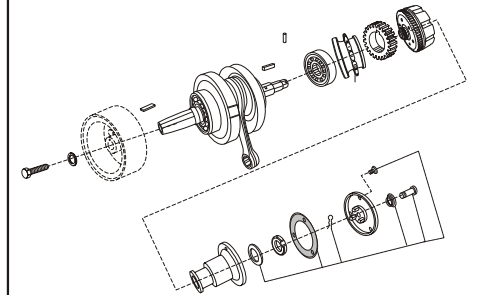


PLATE NO. : 7
Balancer & Balancer Idler Gear

PAGE NO.
13 & 14

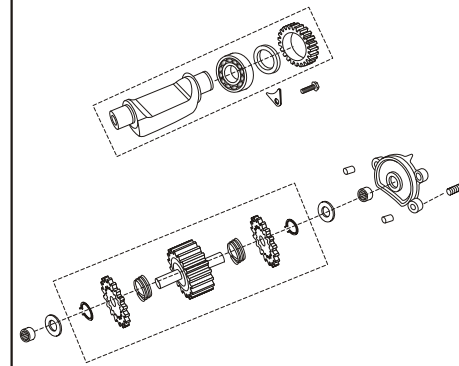
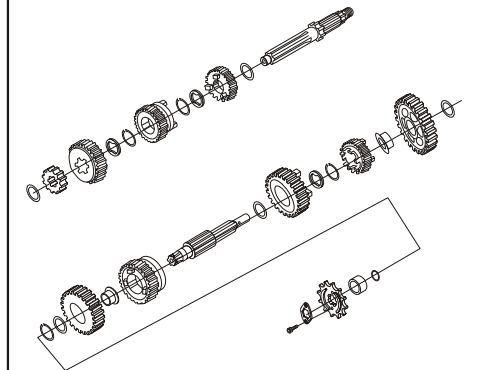


PLATE NO. : 8
CHANGE DRUM / SHIFT FORK

PAGE NO.
15 & 16



Pictorial Index

PLATE NO. : 9
Change Drum / Shift Fork

PAGE NO.
17 & 18

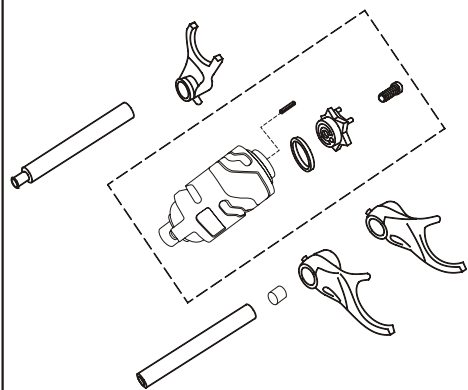


PLATE NO. : 10
Gear Change Mechanism

PAGE NO.
19 & 20

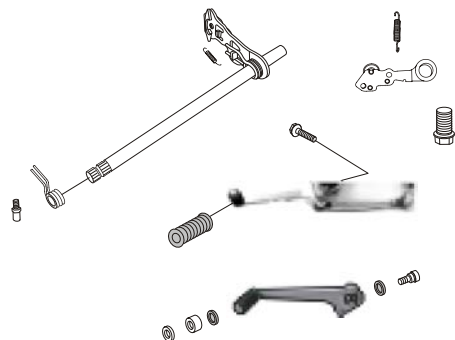


PLATE NO. : 11
Engine Assy. & Crankcase RH

PAGE NO.
21 & 22

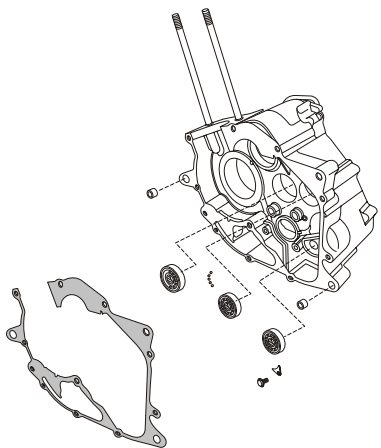
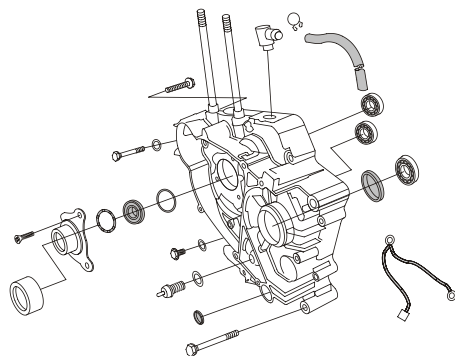


PLATE NO. : 12
Crankcase LH

PAGE NO.
23 & 24



Pictorial Index

PLATE NO. : 13
Cover RH

PAGE NO.
25 & 26

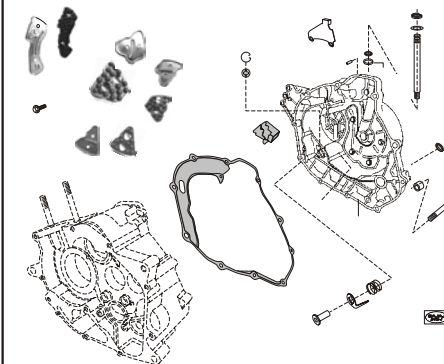


PLATE NO. : 14
Cover Magneto

PAGE NO.
27 & 28

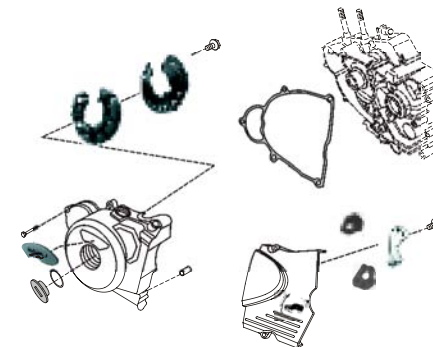


PLATE NO. : 15
CLUTCH

PAGE NO.
29 & 30

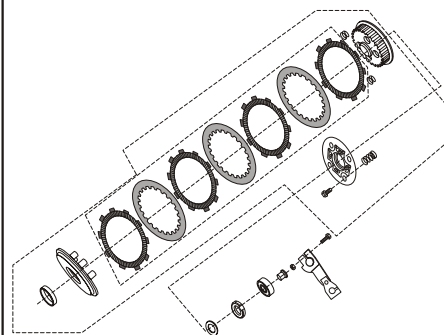
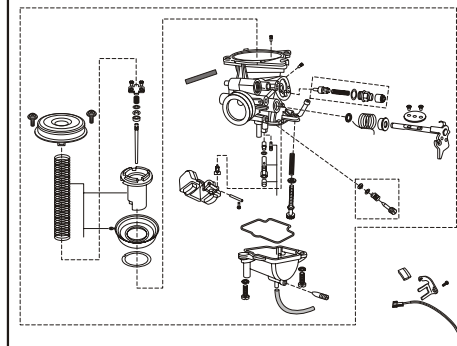


PLATE NO. : 16
Carburettor

PAGE NO.
31 & 32



Pictorial Index

BAJAJ
Pulsar DTS-i 180

PLATE NO. : 17
Air Cleaner Comp

PAGE NO.
33 & 34

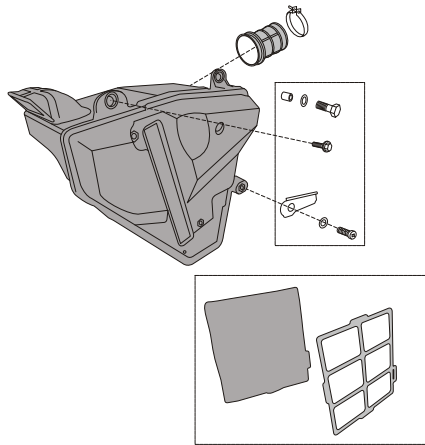


PLATE NO. : 18
Silencer Assly.

PAGE NO.
35 & 36

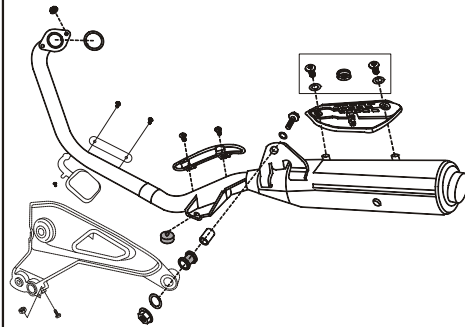


PLATE NO. : 19
Oil Pump

PAGE NO.
37 & 38

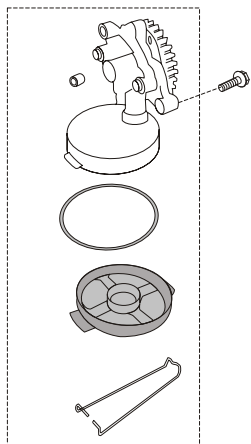
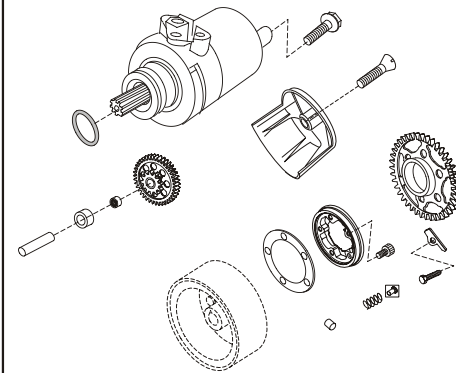


PLATE NO. : 20
Starter Assly.

PAGE NO.
39 & 40



Pictorial Index

BAJAJ
Pulsar DTS-i 180

PLATE NO. : 21
Magneto / C.D.I. /H.T. Coil

PAGE NO.
41 & 42

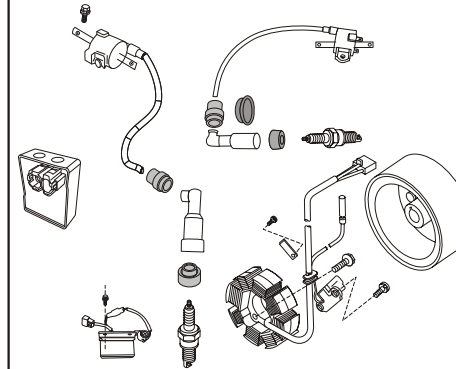


PLATE NO. : 22
Seat Assembly / Seat Lock

PAGE NO.
43 & 44

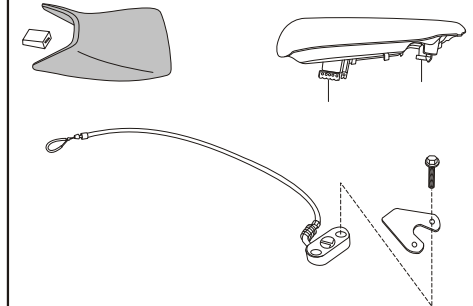


PLATE NO. : 19
Oil Pump

PAGE NO.
37 & 38

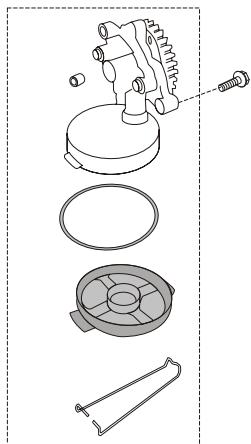


PLATE NO. : 23
Engine Mounting

PAGE NO.
45 & 46

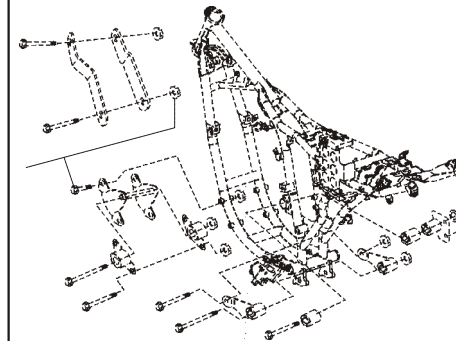
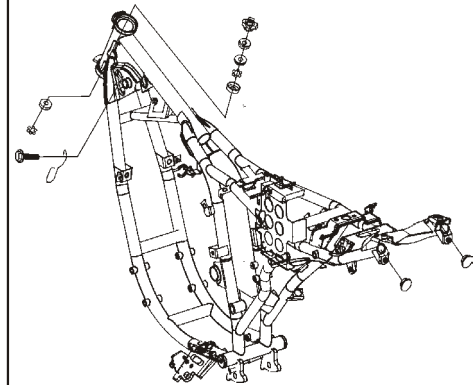


PLATE NO. : 24
Frame & Frame Fittings

PAGE NO.
47 & 48



Pictorial Index

BAJAJ
pulsar DTS-i 180

PLATE NO. : 25
Swing Arm / Rear Shock Absorber

PAGE NO.
49 & 50

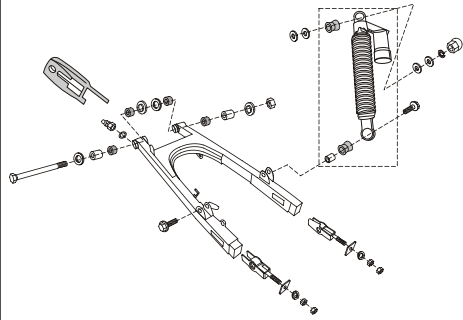


PLATE NO. : 26
Rider Foot Rest

PAGE NO.
51 & 52

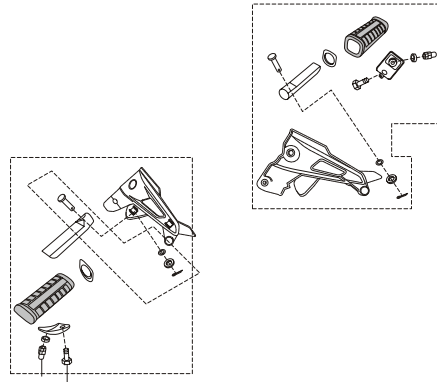


PLATE NO. : 27
Pillion Foot Rest / Holder

PAGE NO.
53 & 54

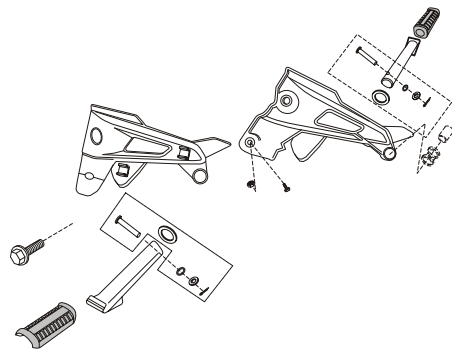
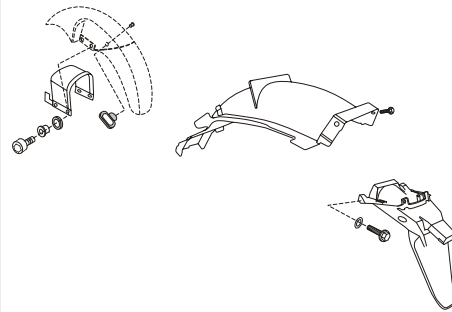


PLATE NO. : 28
Mudguard - Front & Rear

PAGE NO.
55 & 56



Pictorial Index

BAJAJ
pulsar DTS-i 180

PLATE NO. : 29
Stand Assembly

PAGE NO.
57 & 58

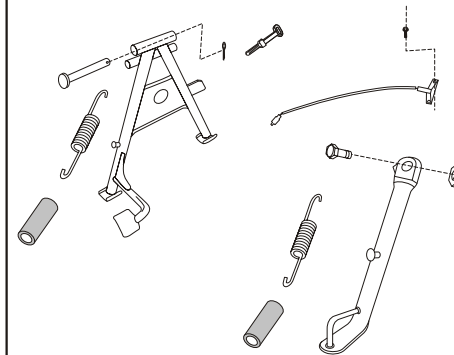


PLATE NO. : 30
Tube / Tyre / Rim

PAGE NO.
59 & 60



PLATE NO. : 31
Front Hub (For Disc Brake System)

PAGE NO.
61 & 62

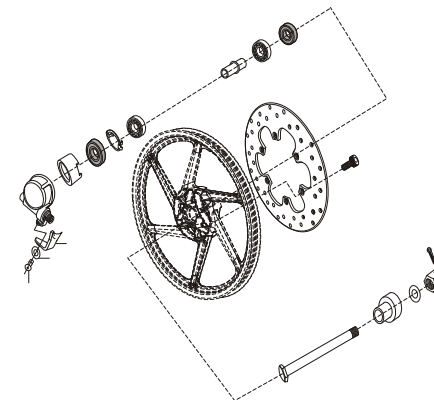
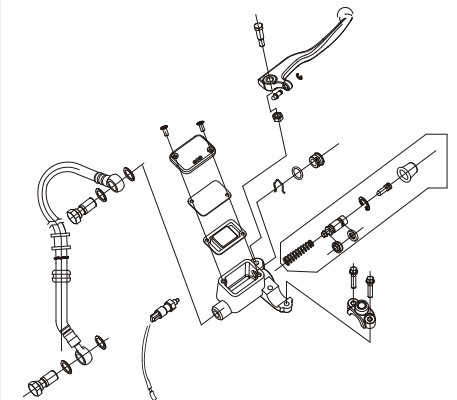


PLATE NO. : 32
Front Master Cylinder

PAGE NO.
63 & 64



Pictorial Index

PLATE NO. : 33
Front Disc Brake

PAGE NO.
65 & 66

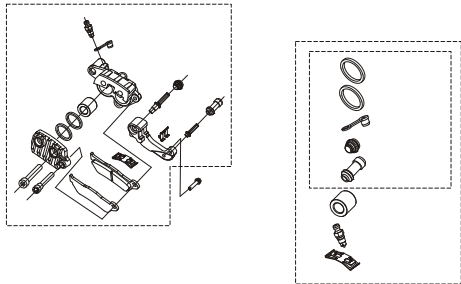


PLATE NO. : 34
Rear Hub

PAGE NO.
67 & 68

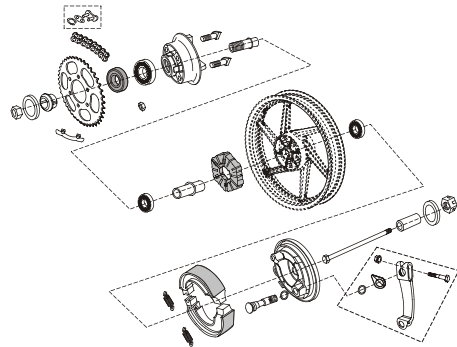


PLATE NO. : 35
Rear Brake Padal

PAGE NO.
69 & 70

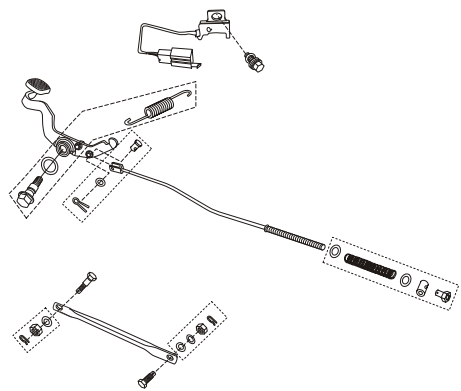
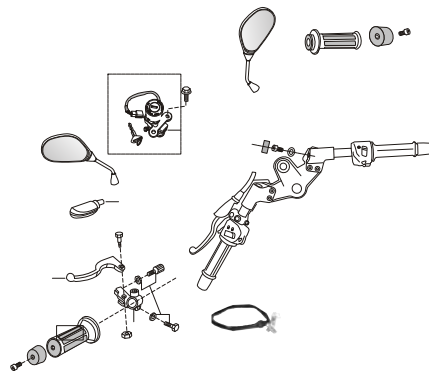


PLATE NO. : 36
Handle Bar

PAGE NO.
71 & 72



Pictorial Index

PLATE NO. : 37
Front Fork

PAGE NO.
73 & 75

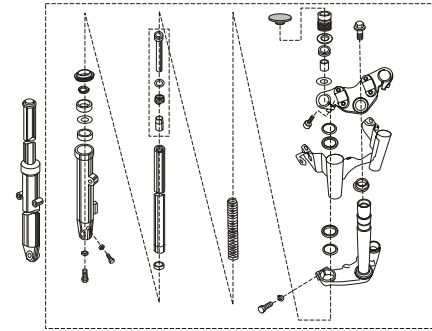


PLATE NO. : 38
Painted Parts & Decals

PAGE NO.
75/76/77/78

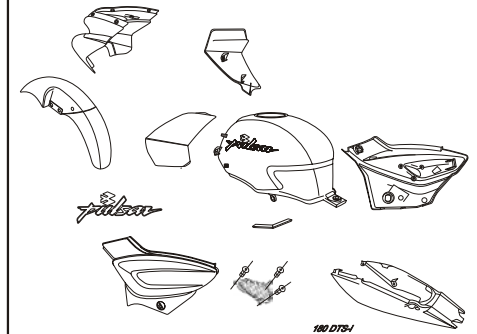


PLATE NO. : 39
Petrol Cock, Cap Tank & Gauge Fuel

PAGE NO.
79 & 80

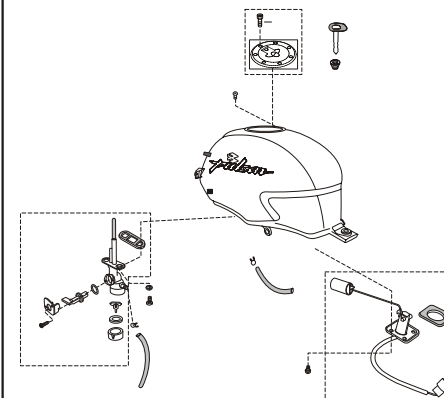
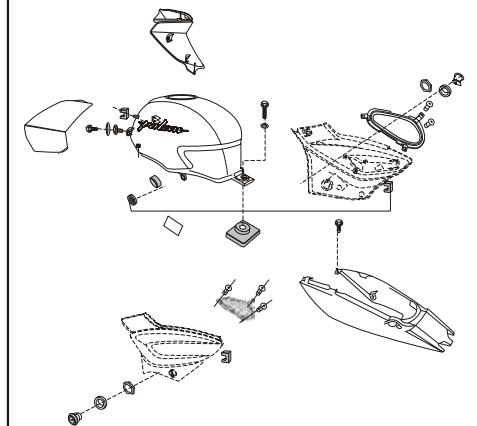


PLATE NO. : 40
Fitting Petrol Tank Spoiler, Side Cover, Seat Cover

PAGE NO.
81 & 82



Pictorial Index

PLATE NO. : 41
Meter Assly

PAGE NO.
83 & 84

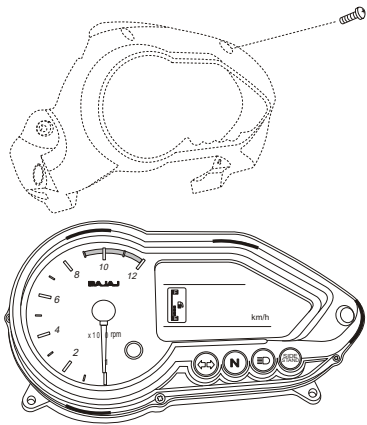


PLATE NO. : 42
Control Cables

PAGE NO.
85 & 86

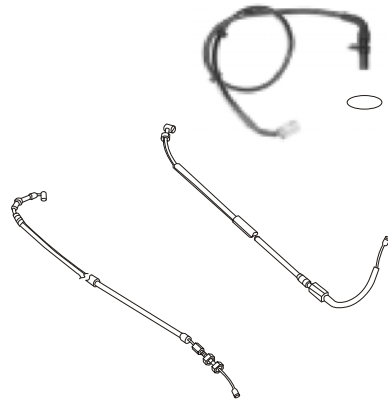


PLATE NO. : 43
Chain Cover

PAGE NO.
87 & 88

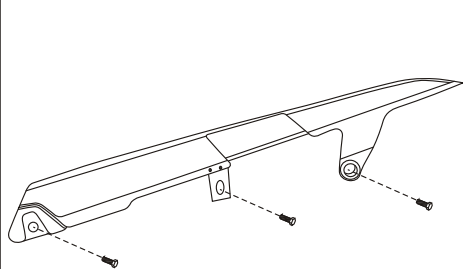
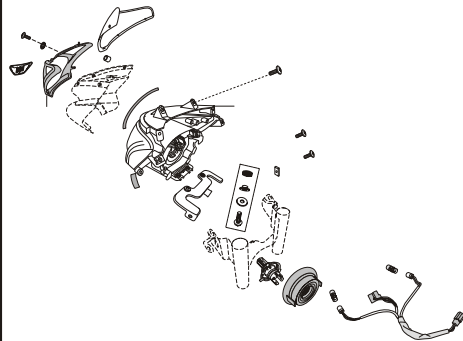


PLATE NO. : 44
Head Lamp & Fairing

PAGE NO.
89 & 90



Pictorial Index

PLATE NO. : 45
Indicator Light Assly

PAGE NO.
91 & 92

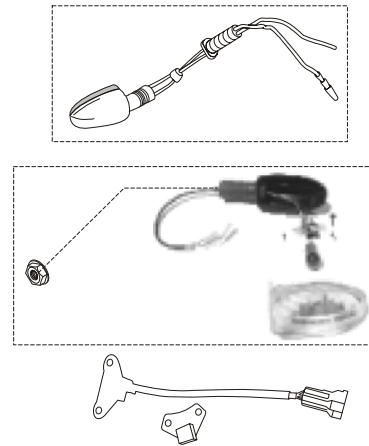


PLATE NO. : 46
Tail Lamp Assly / Front & Rear No.Plates

PAGE NO.
93 & 94

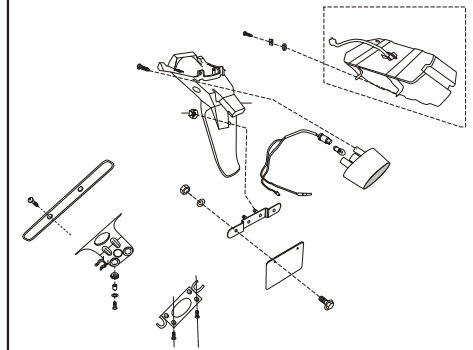


PLATE NO. : 47
Electrical Components

PAGE NO.
95 & 96

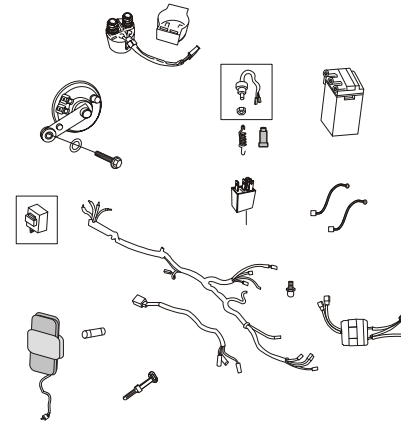


PLATE NO. : 48
Tool Kit

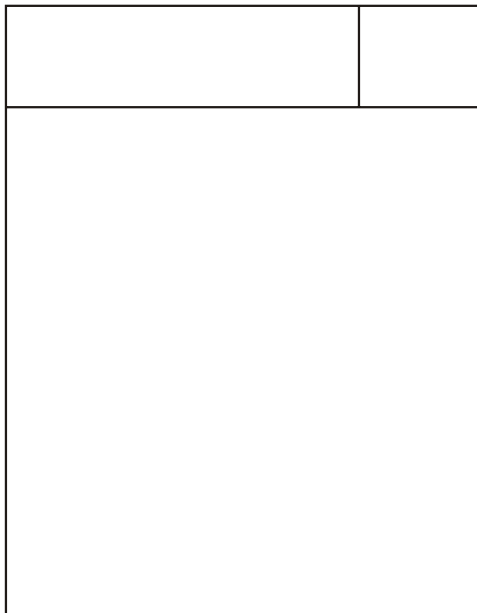
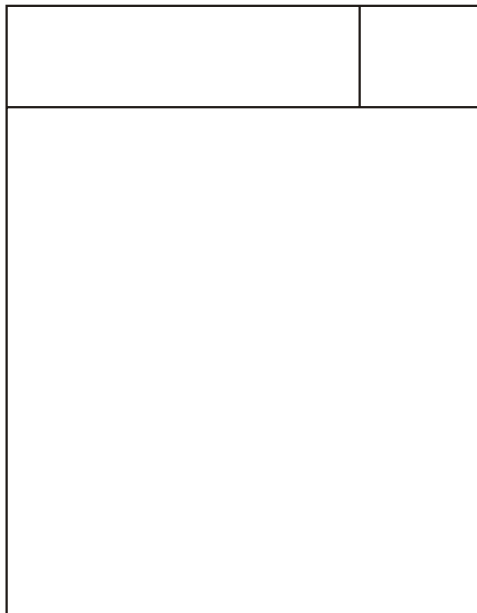
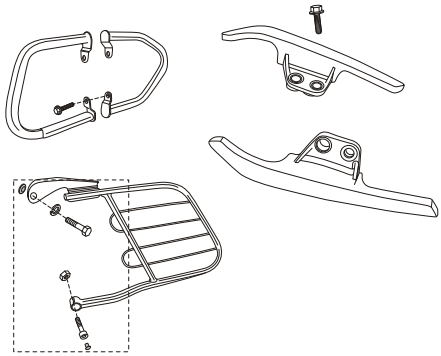
PAGE NO.
97 & 98



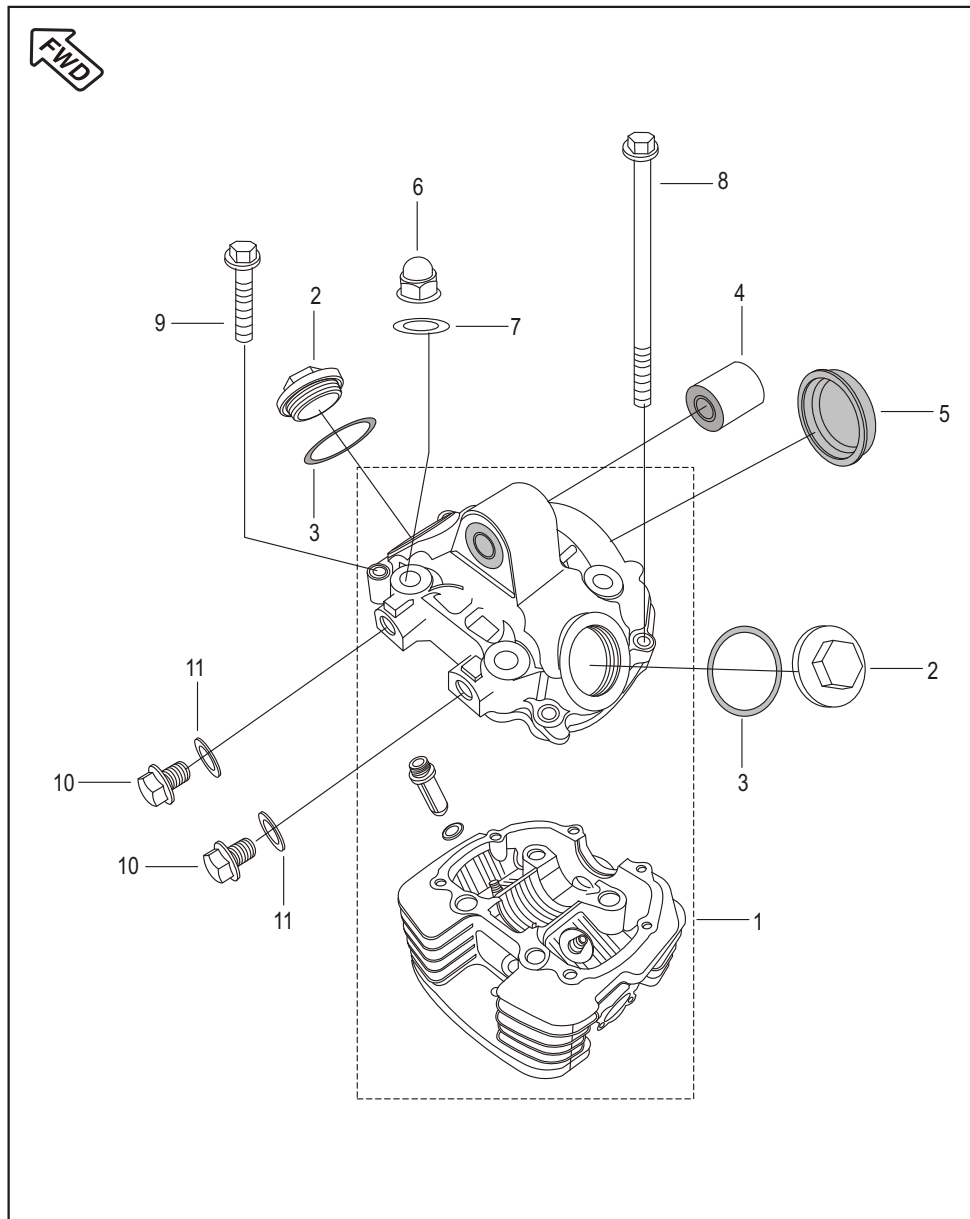
Pictorial Index

PLATE NO. : 49
Accessories / Grab Handle

PAGE NO.
99 & 100

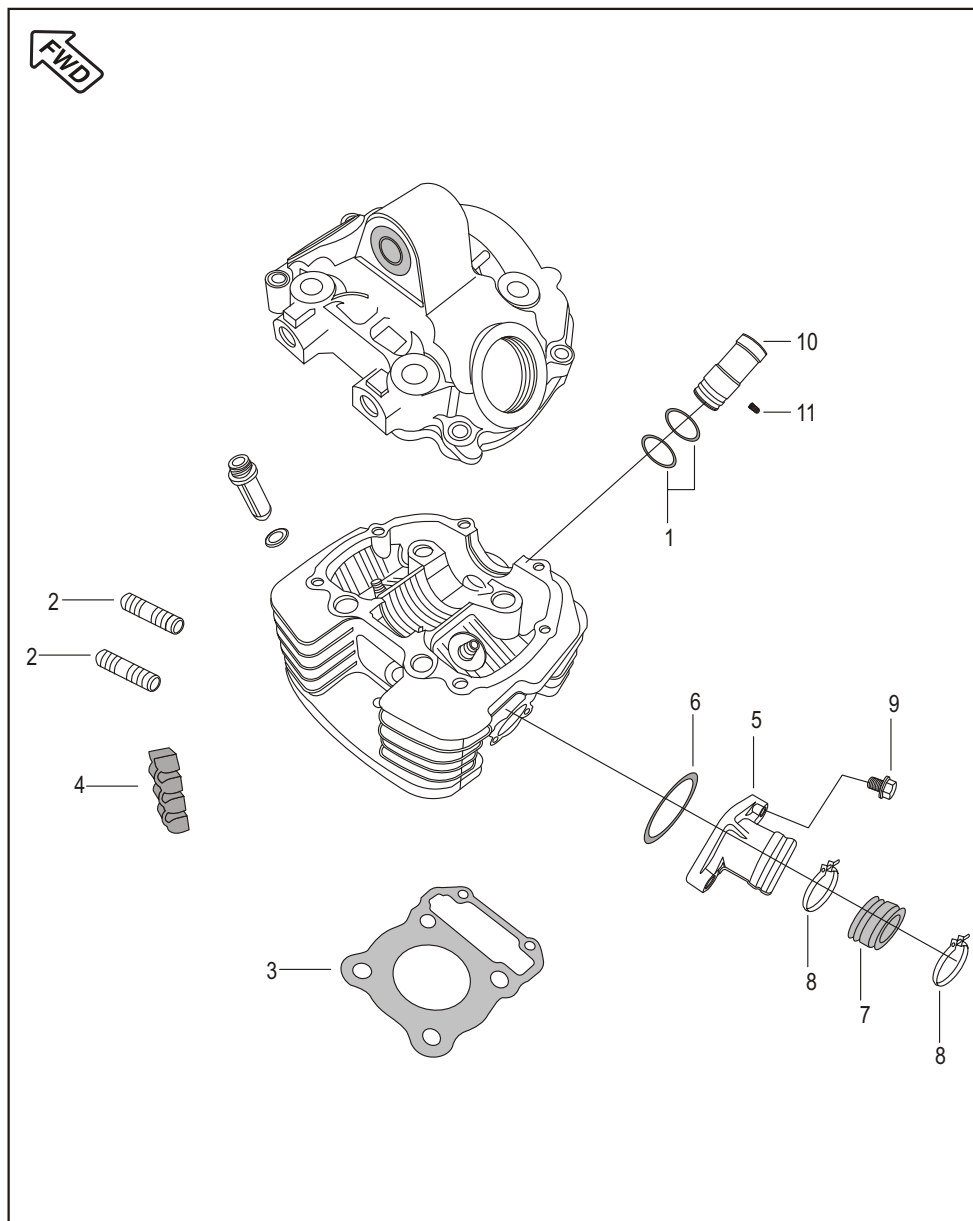


Cover Cylinder Head



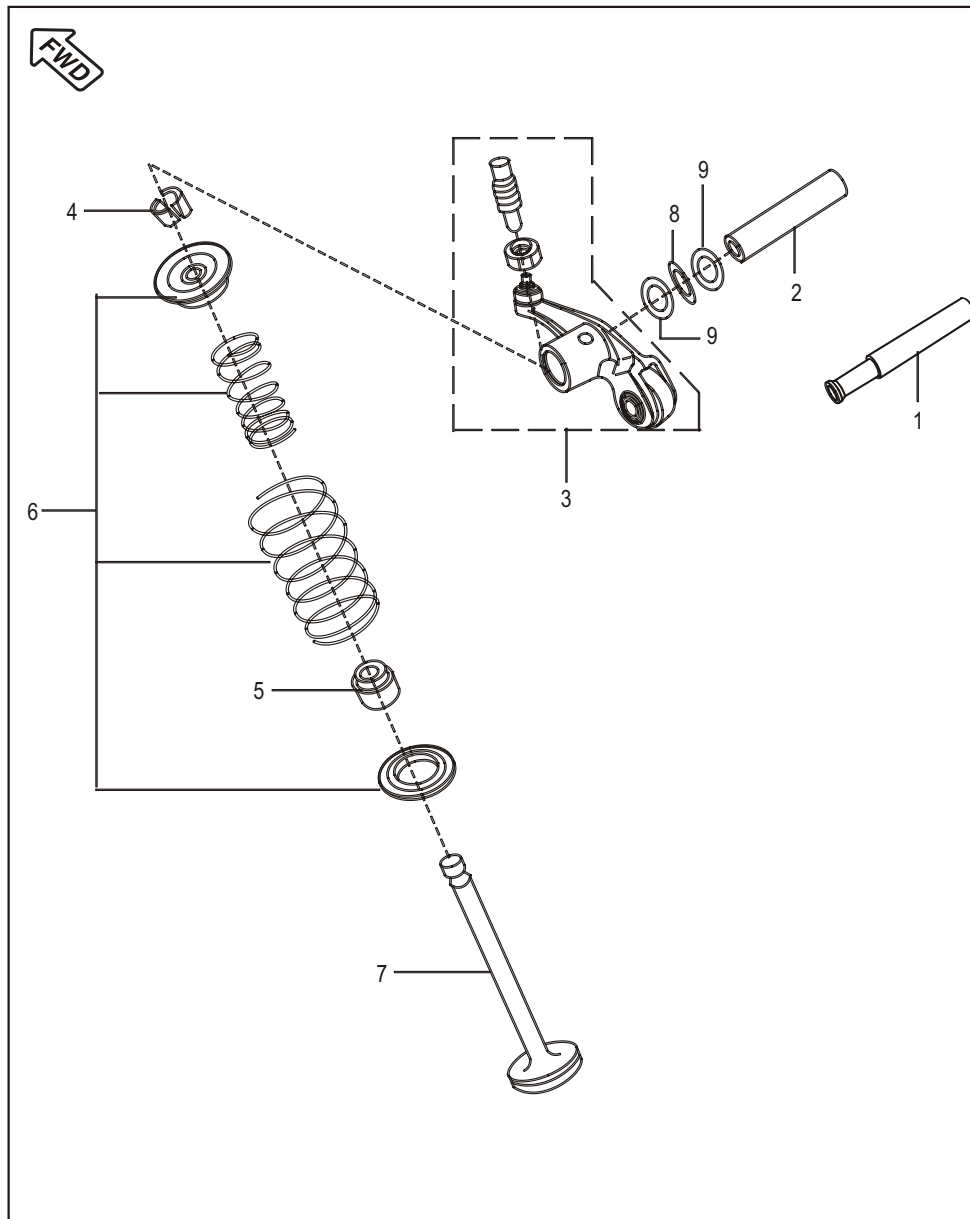
No.	Part No.	Description	Qty. /Veh.	Remarks
1	DJ 1013 90 36 DJ40 34	Head Cylinder with Cover Head Cylinder with Cover (W/o NRB)	1 1	From Eng. No. BUG20501
2	DJ 1012 17	Cover Tappet	2	
3	36 DS10 01	'O' Ring Kit for Cover Cyl. Head	1	Ref. Page No. 101
4	DS 1011 66	Silent Bush	1	
5	DS 1010 96	Camshaft Cap	1	
6	39 2647 15	Domed Cap Nut	4	
7	DS 1013 16	Copper Washer	4	
8	39 2532 04	Hex. Bolt with Flange	2	
9	39 1075 04	Hex. Bolt / Flange	4	
10	DH 1012 72	Plug	2	
11	DG 1014 98	Gasket	2	

Cylinder Head



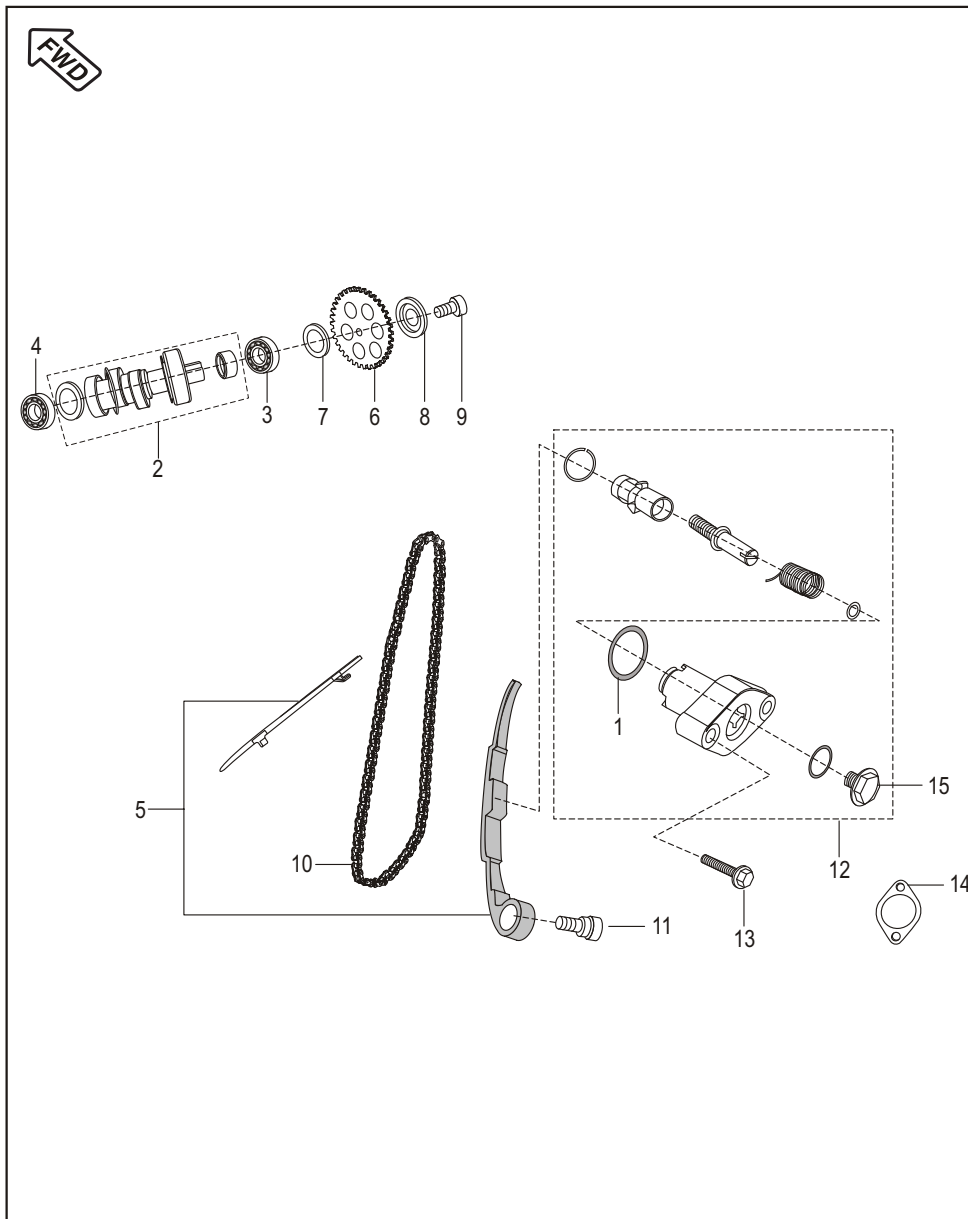
No.	Part No.	Description	Qty. /Veh.	Remarks
1	36 DS10 01	'O' Ring Kit for Cover Cyl. Head	1	Ref. Page No.101
2	39 1660 05	Stud (Exhaust)	2	
3	DJ 1010 12	Gasket Cylinder Head	1	
4	DH 1015 08	Damper Cylinder Head	5	
5	DJ 1012 15	Intake Pipe	1	
6	39 2539 21	'O' Ring (Intake Pipe)	1	
7	DJ 1210 22	Carburettor Insulator	1	
8	DH 1210 38	Clamp for Insulator	2	
9	39 1674 04	Hex. Bolt / Flange	2	
10	DH 1110 12	Sleeve - Spark Plug	1	
11	39 2608 01	Grub Screw	1	For Sleeve Spark Plug

Valve



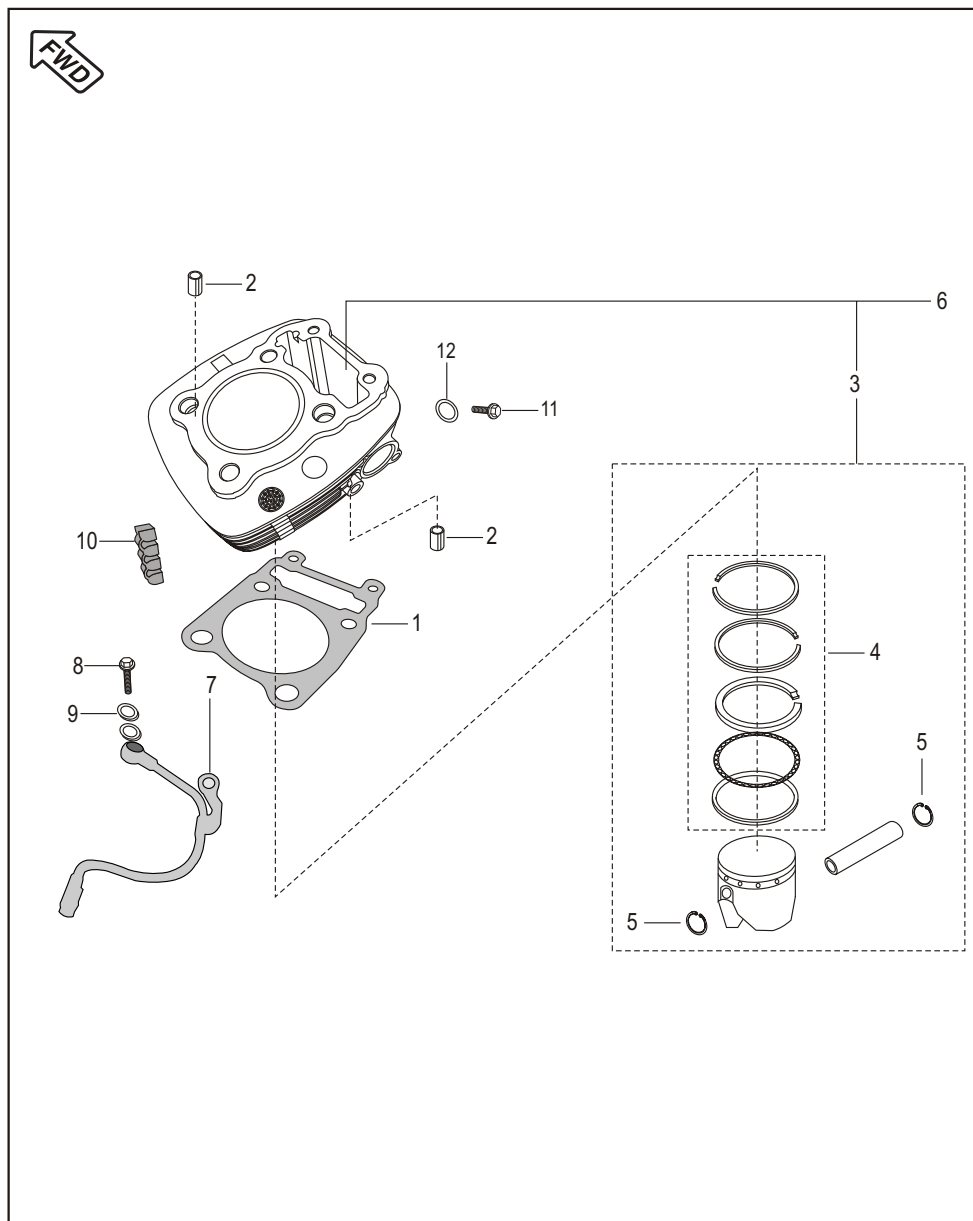
No.	Part No.	Description	Qty. /Veh.	Remarks
1	DS 1013 35	Rocker Arm Shaft - Intake	1	
	DK 1017 48	Rocker Arm Shaft - Intake W/o NRB	1	From Eng. No. BUG20501
2	DS 1013 36	Rocker Arm Shaft - Exhaust	1	
	DK 1017 51	Rocker Arm Shaft - Exhaust W/o NRB	1	From Eng. No. BUG20501
3	DS 1013 33	Rocker Arm with roller	2	
	DK 1017 55	Rocker Arm	2	From Eng. No. BUG20501
4	DG 1010 29	Cotter valve	4	
5	39 2017 19	Seal valve stem	2	
6	DK 1013 26	Valve Repair Kit	1	Ref. Page No. 101
7	36 DJ10 04	Valve Kit	1	Ref. Page No. 101
8	DS 1013 66	Wave washer	2	
	DH 1012 95	Wave washer	2	From Eng. No. BUG20501
9	59 1100 02	Plain washer	4	
	39 2440 11	Plain Washer	4	From Eng. No. BUG20501

Camshaft / Tensioner



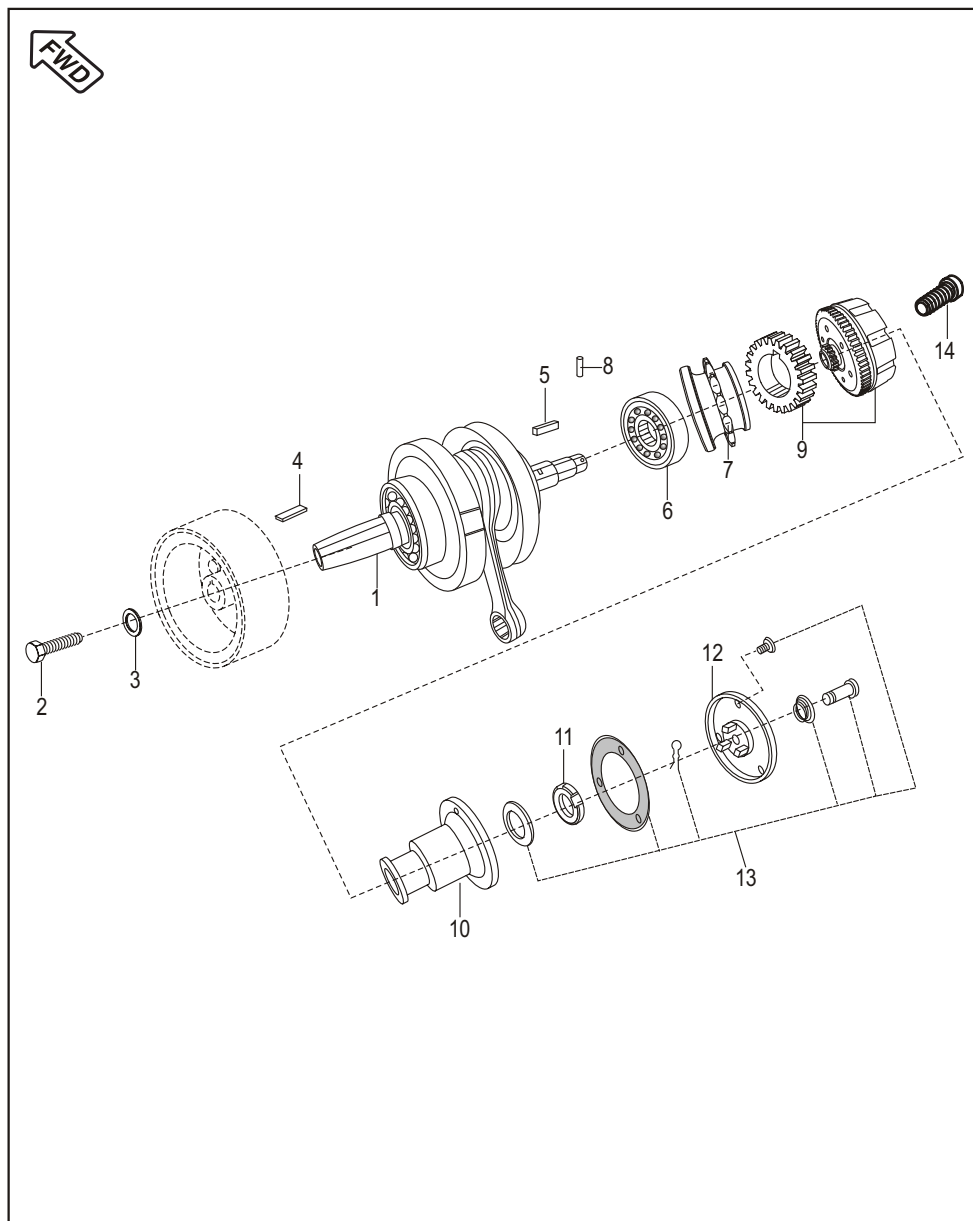
No.	Part No.	Description	Qty. /Veh.	Remarks
1	CS 1011 28	Ring 'O'	1	
2	DJ 1013 72	Camshaft Assembly	1	
3	JC 1010 86	Bearing Ball 6302 RS1/C3H	1	
	39 2542 20	Bearing - Ball-15X42X13	1	
4	39 1880 20	Bearing Ball :- 15 X 32 X 9 (6002-C3)	1	
5	36 DH40 30	Guide Chain Kit	1	
6	DS 1012 76	Sprocket cam Driven (32 T)	1	
7	DH 1014 12	Collar cam Sprocket	1	
8	DH 1010 48	Special camshaft washer	1	
9	DK 1013 86	Pre Coated Socket Head Cap Bolt M8x40	1	
10	JC 1010 35	Cam Chain	1	
11	DH 1013 92	Cam chain Tensioner pivot Bolt	1	
12	JC 1010 34	Tensioner Assly	1	
13	39 1673 04	Hex Bolt / Flange	2	
14	CS 1011 28	Tensioner assly. gasket	1	
15	DD 1010 62	Bolt	1	

Cylinder and Piston



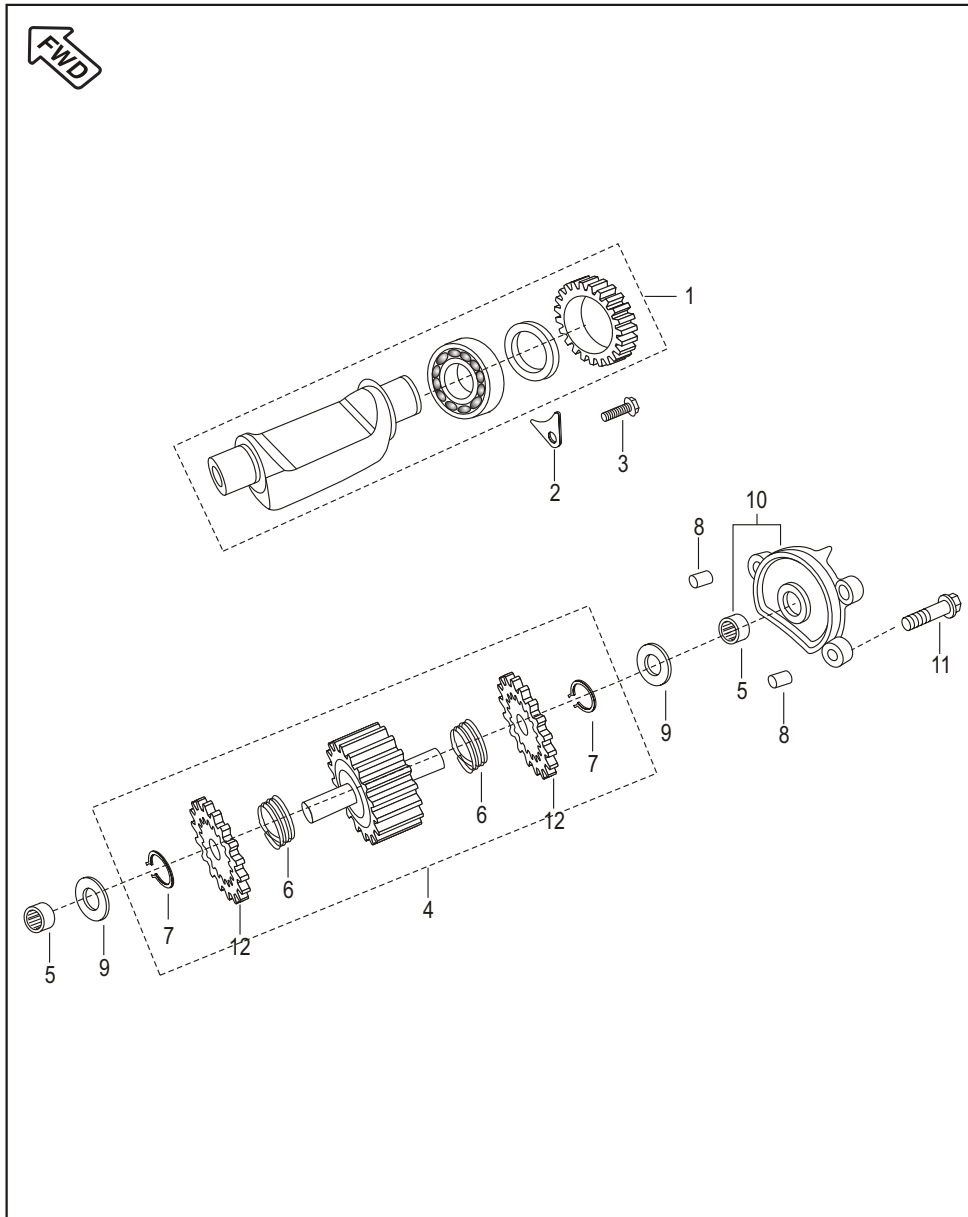
No.	Part No.	Description	Qty. /Veh.	Remarks
1	DJ 1010 04	Gasket Cylinder	1	
2	39 2181 06	Pin dowel	4	
3	DJ 1011 58	Piston Assly. Std.	1	
4	DJ 1011 06	Ring Set Piston	1	
5	39 2132 17	Ring Snap	2	
6	DJ 1013 71	Cylinder Block / Piston Assly	1	
7	DK 1015 92	Oil Pipe Assly	1	
8	DD 1210 07	Bolt Special	2	
9	31 1210 06	Gasket	4	
10	DH 1014 14	Damper	6	
11	39 1689 04	Bolt (dummy for Temp sensor)	1	
12	39 2448 11	Washer (dummy for Temp sensor)	1	

Crankshaft



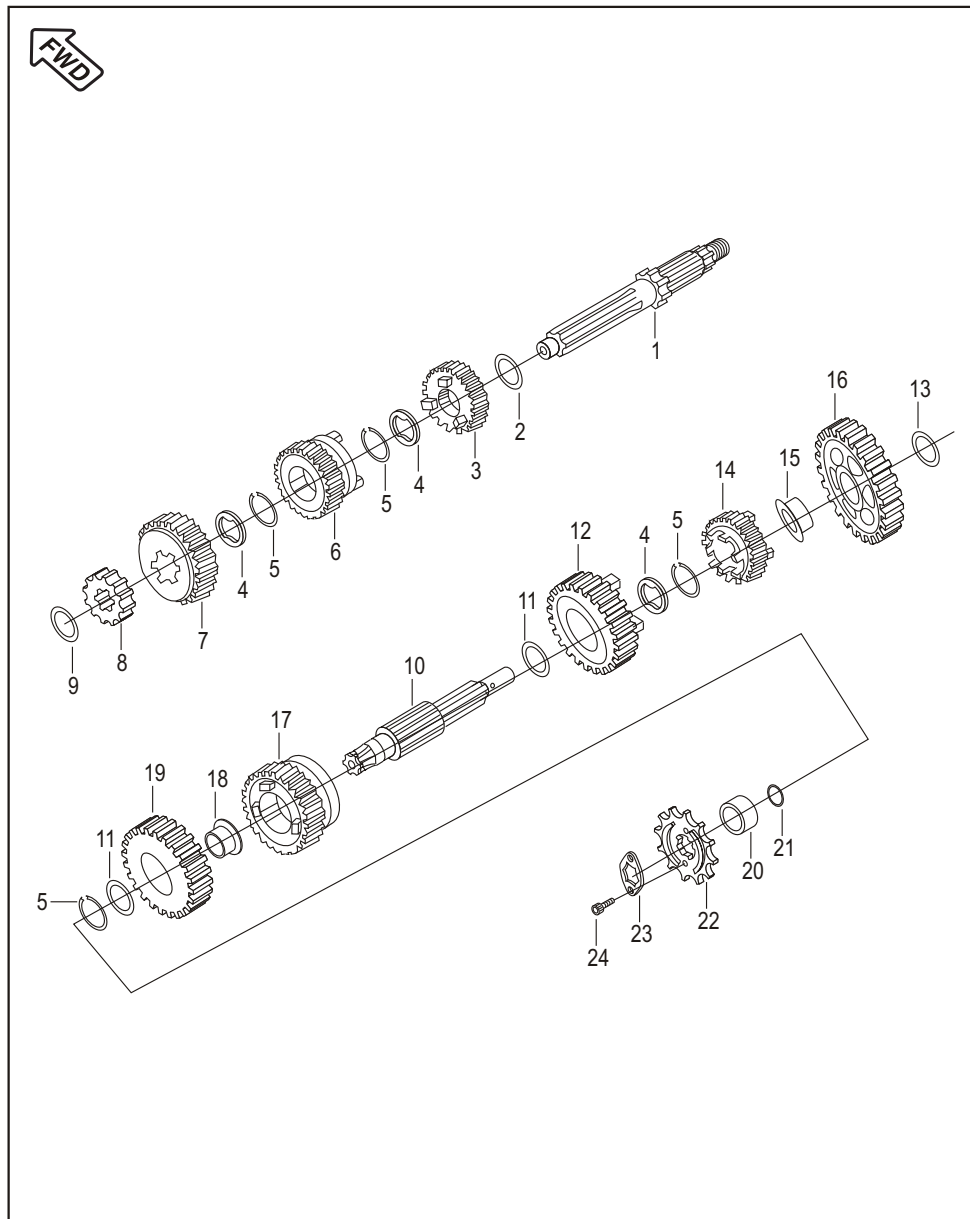
No.	Part No.	Description	Qty. /Veh.	Remarks
1	JC 1010 01	Crankshaft assly. comp.	1	
2	39 2183 04	Bolt	1	
3	39 2165 11	Plain washer	1	
4	31 1011 73	Key woodruff	1	
5	DS 1011 54	Square Key	1	
6	39 1931 20	Bearing Ball	1	
7	DK 1012 48	Sprocket cam drive	1	
8	39 2203 07	Parallel pin	1	
9	36 DK00 38	Set primary driver & driven	1	Ref. Page No.101
10	DH 1010 64	Body centrifugal oil filter	1	
11	DH 1011 95	Nut	1	7mm. (Height)z
12	DH 1010 65	Cover centrifugal oil filter	1	
13	36 DH40 19	Kit centrifugal oil filter	1	Ref. Page No.101
14	DK 1014 80	Oil plunger	1	

Balancer & Balancer Idler Gear



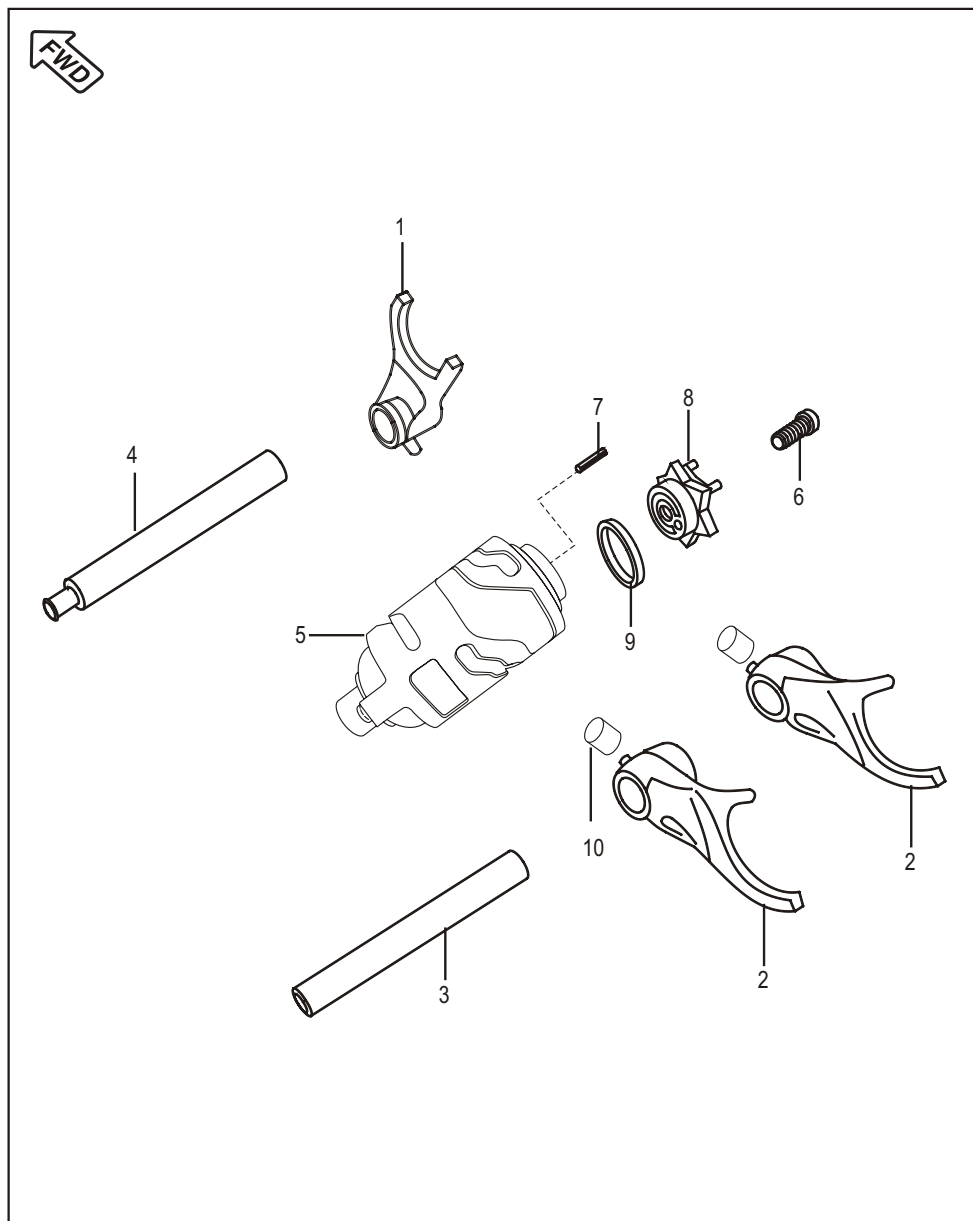
No.	Part No.	Description	Qty. /Veh.	Remarks
1	DJ 9025 03	Body Balancer Assly.	1	
2	DH 1010 72	Bearing stopper	1	
3	39 1672 04	Bolt	1	
4	DH 1014 32	Assly. Balancer Idler Gear comp.	1	
5	39 2152 20	Needle roller bearing	2	
6	DH 1014 24	Spring torsion Balancer Idler	2	
7	39 2557 17	Circlip ext.	2	
8	39 1686 06	Dowel Pin	2	
9	39 1620 11	Thrust washer	2	
10	52 DH01 77	Balancer Idler Holder	1	
11	39 1674 04	Bolt	3	
12	DH 1013 73	Scissor Balancer Idler	2	

Transmission



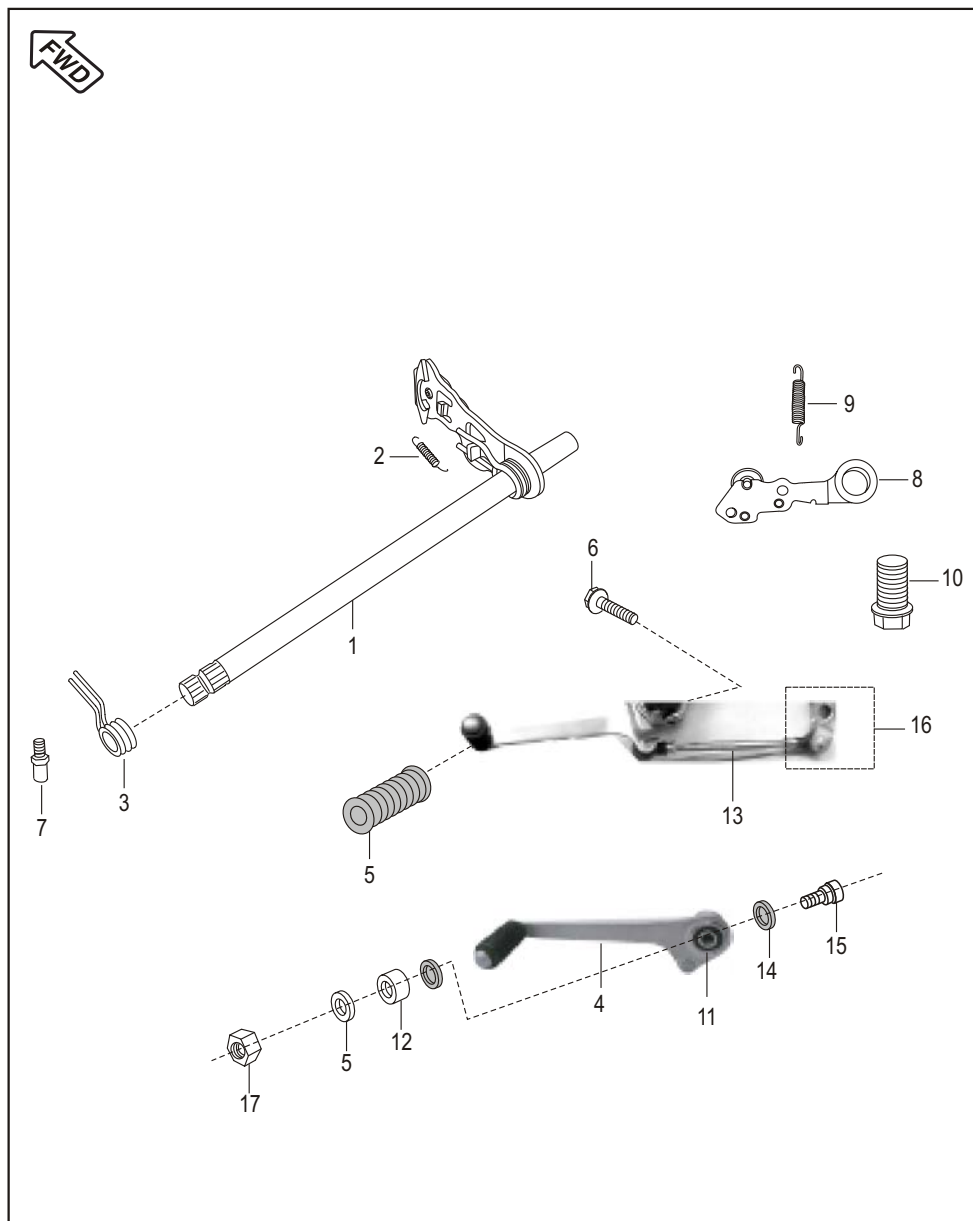
No.	Part No.	Description	Qty./Veh.	Remarks
1	DK 1014 71	Shaft Input Transmission	1	
2	39 2158 11	Washer Plain	1	
3	DK 1011 03	Gear 4th Drive	1	
4	DH 1010 79	Washer Spline	3	
5	DH 1012 35	External Circlip	4	
6	DK 1011 02	Gear 3rd Drive	1	
7	DK 1011 04	Gear 5th drive	1	
8	DH 1010 84	Gear 2nd drive	1	
9	39 2160 11	Thrust washer	1	
10	DK 1011 44	Shaft output Transmission	1	
11	39 2166 11	Washer Plain	2	
12	DK 1011 05	Gear 3rd Driven	1	
13	39 2159 11	Thrust Washer	1	
14	DK 1011 06	Gear 4th Driven	1	
15	DH 1011 11	Bush 1st driven	1	
16	DK 1011 18	Gear 1st driven	1	
17	DK 1011 07	Gear 5th Driven	1	
18	DH 1013 19	Bush 2nd driven	1	
19	DH 1013 33	Gear 2nd Driven	1	
20	DK 1012 45	Collar Sprocket	1	
21	DK 1013 52	'O' Ring Sprocket Collar	1	
22	DV 1010 48	Sprocket Drive	1	
23	DJ 1010 63	Plate Drive Sprocket	1	
24	AA 1014 37	Screw Pre Coated	2	

Change Drum / Shift Fork



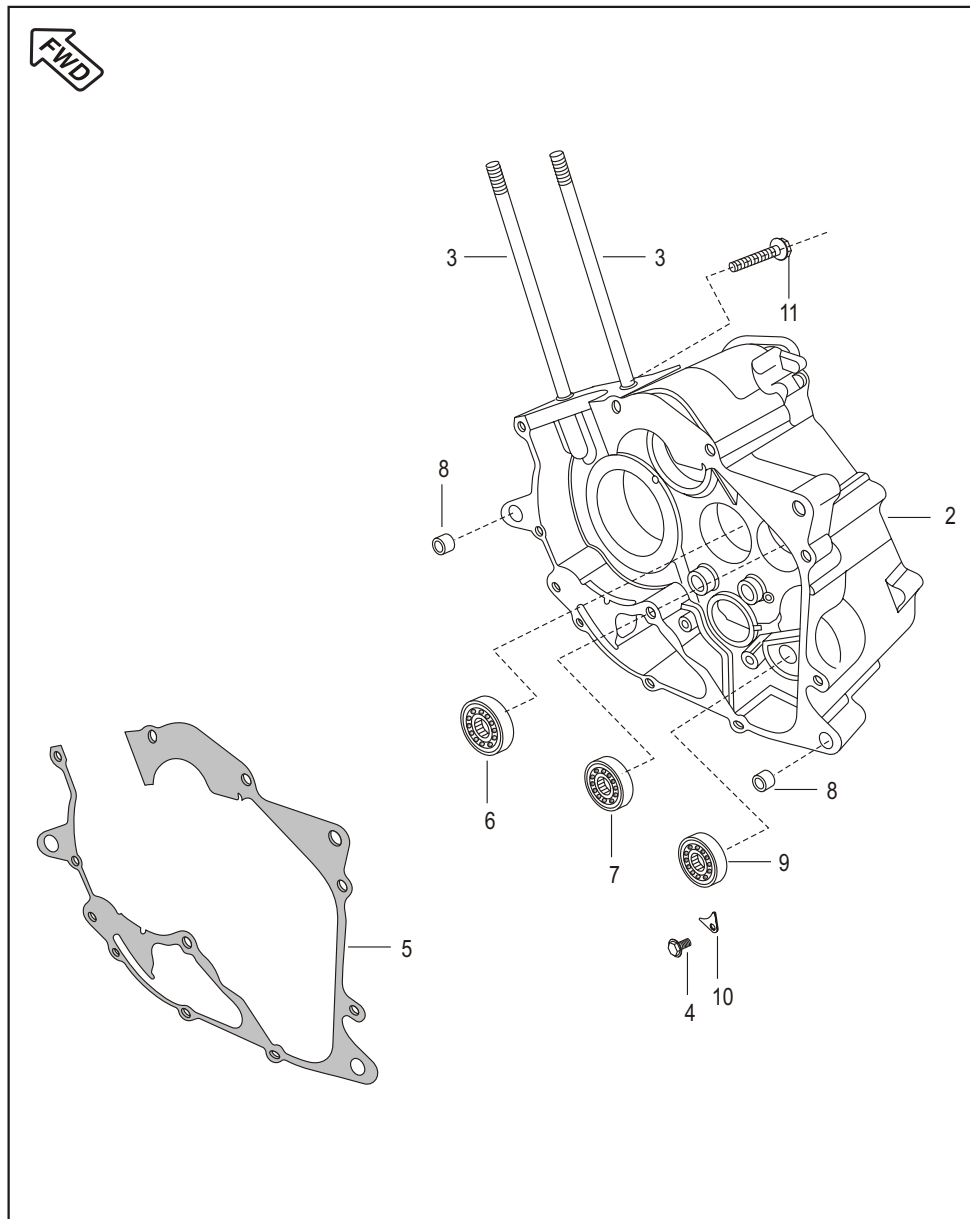
No.	Part No.	Description	Qty. /Veh.	Remarks
1	DK 1011 59	Fork Gear Shift Input	1	
2	DK 1011 60	Fork Gear Shift output	2	
3	DH 1011 46	Shaft Gear Shift Fork	1	
4	DH 1014 93	Shaft Gear Shift Fork	1	
5	DK 1013 82	Drum comp. Gear Shift	1	
6	39 2639 04	Bolt Socket	1	
7	39 2606 07	Parellel pin	1	
8	DK 1013 61	Guide Gear Shifter	1	
9	DH 1014 96	Spacer	1	
10	DK 1011 35	Bush fork gear shift	3	

Gear Change Mechanism



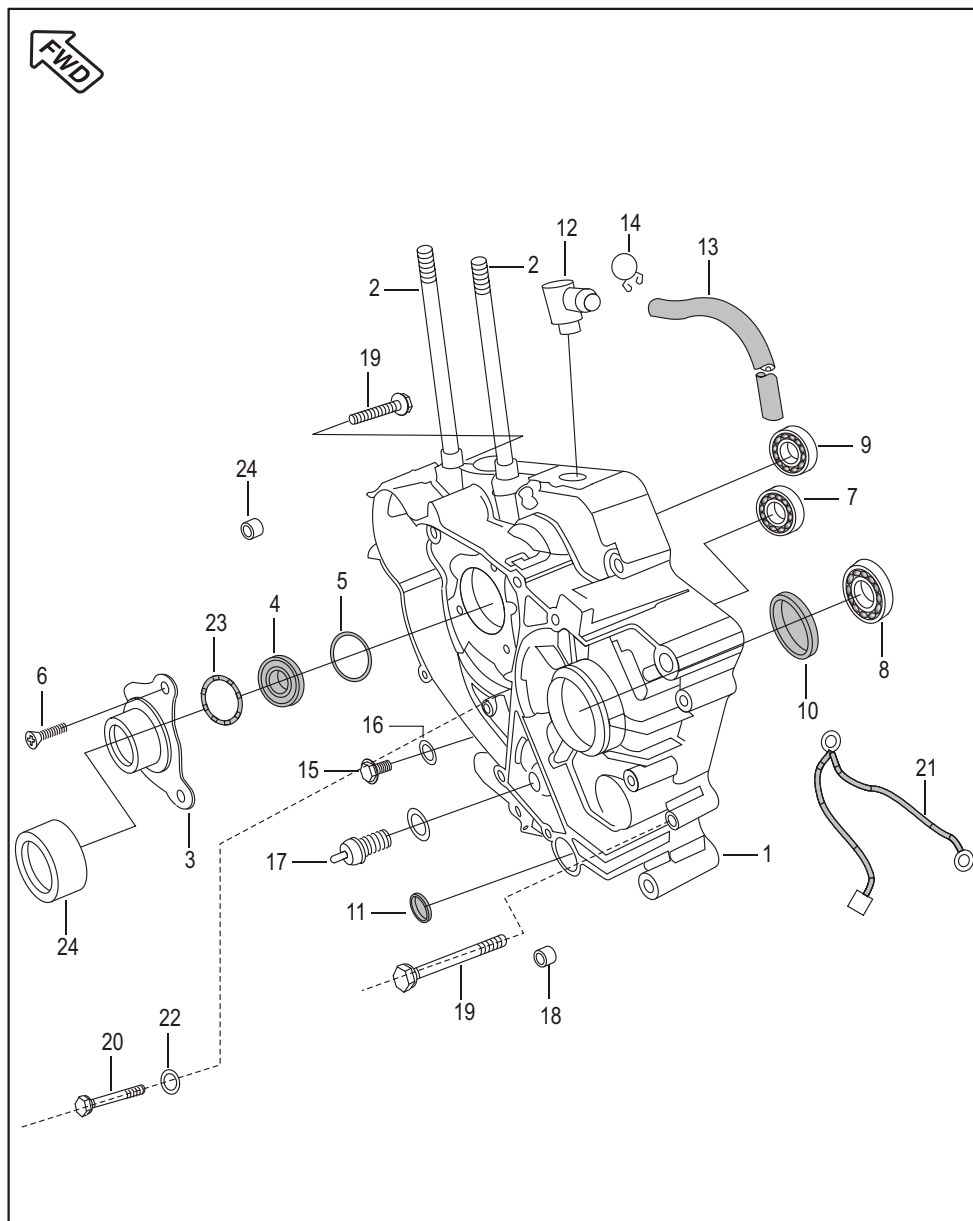
No.	Part No.	Description	Qty. /Veh.	Remarks
1	DH 1017 05	Lever comp. Gear Shifter	1	
2	DH 1011 43	Spring Slider Arm Reset	1	
3	DH 1011 44	Spring Gear Shifter Return	1	
4	DK 1011 82	Lever gear shift	1	
5	DH 1015 09	Damper	1	
6	39 2453 04	Flanged Bolt	1	
7	DH 1013 93	Bolt Gear Shift drum Stopper	1	
8	DH 1015 03	Stopper Gear Shifter Drum	1	
9	DK 1012 53	Spring Gear Shifter Drum Stopper	1	
10	DH 1013 94	Bolt Shift Change	1	
11	39 1998 19	Oil seal	2	
12	DK 1011 87	Collar	1	
13	DK 1011 80	Assembly tie rod	1	
14	DK 1011 85	Washer pivot	1	
15	DK 1011 86	Pivot bolt	1	
16	DK 1011 77	Assembly lever change arm	1	
17	39 2383 15	Flange Nut	1	

Engine Assly. & Crankcase RH



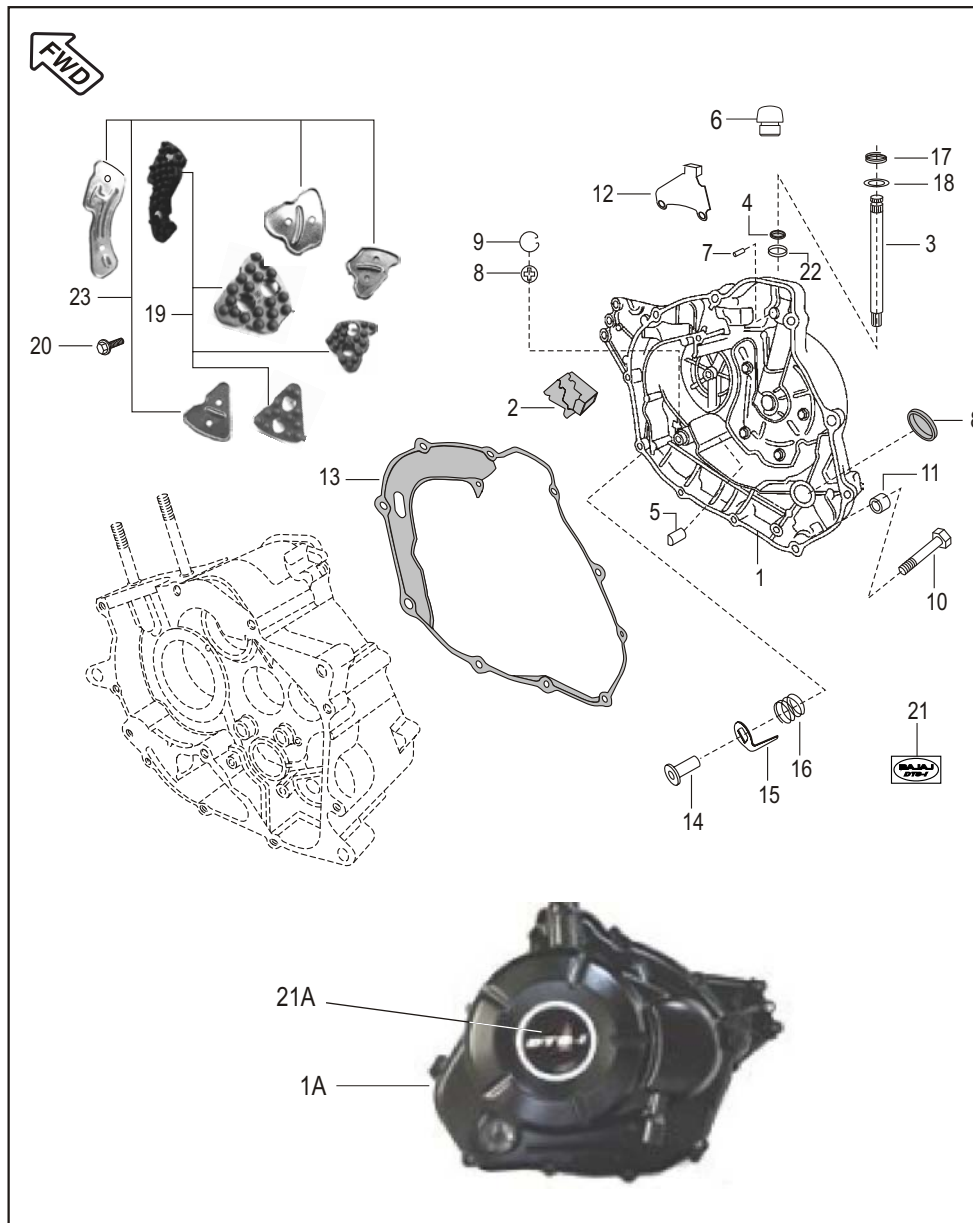
No.	Part No.	Description	Qty. /Veh.	Remarks
1	DJ 1013 89	Engine Assly. with starter motor	1	N.I.
	DJ 1016 72	Engine Assly. with Starter motor	1	MLT Silver
2	JC 1010 29	Crankcase RH	1	
3	59 0500 08	Stud	2	
4	AA 1014 37	Screw Pre Coated	1	
5	DH 1010 06	Gasket Crankcase	1	
6	39 2583 20	Bearing Ball (For Input shaft)	1	
7	59 2000 27	Needle Roller Bearing (For Output shaft)	1	
8	39 2180 06	Dowel Pin	2	
9	39 2601 20	Ball Bearing	1	(For Drum Comp. Gear Shift)
10	DH 1014 87	Plate Stopper	1	
11	39 1845 04	Flange Bolt	1	

Crankcase LH



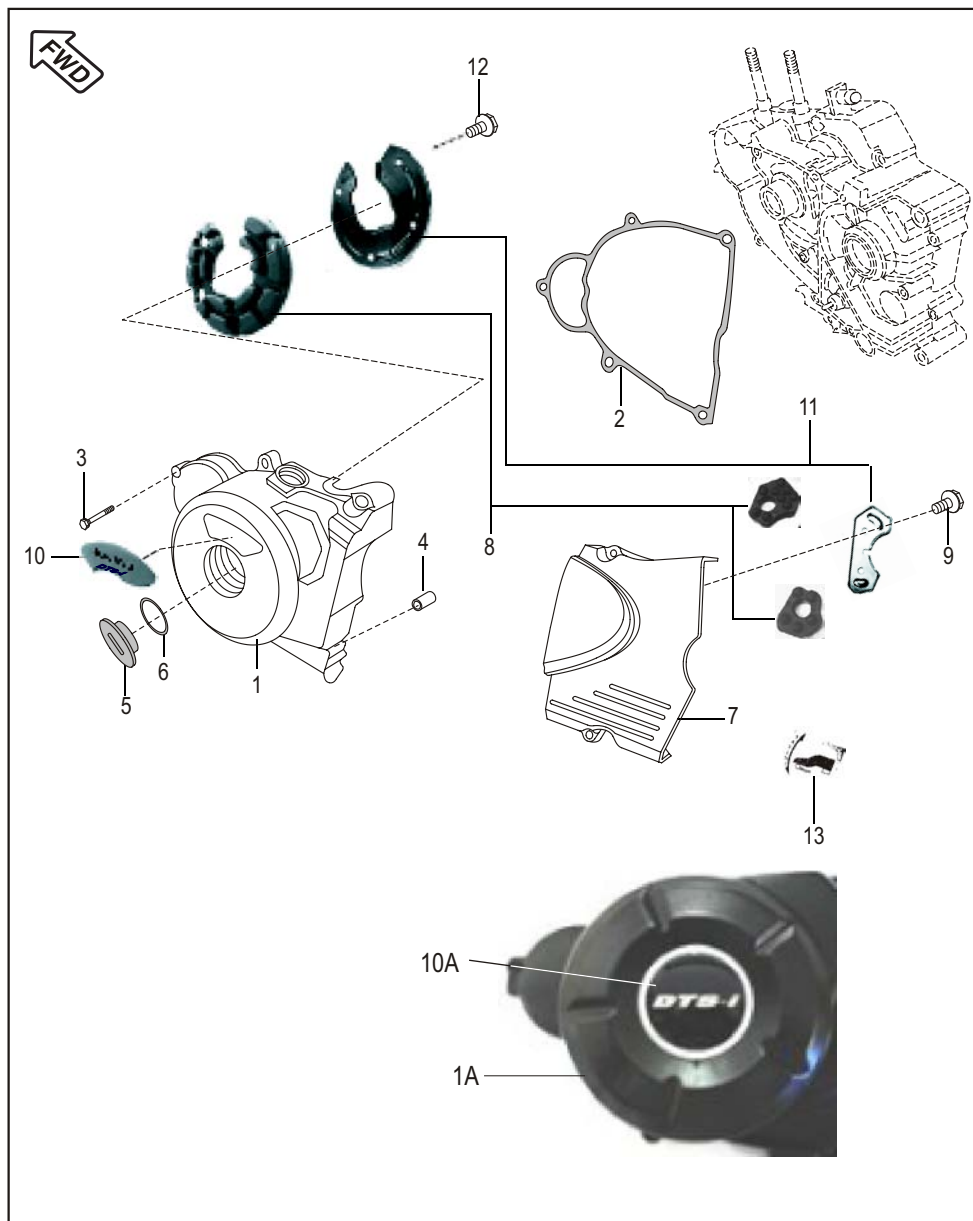
No.	Part No.	Description	Qty. /Veh.	Remarks
1	JC 1010 45	Crankcase LH	1	
2	59 0500 08	Stud	2	
3	DK 1010 94	Guide starter Assly	1	
4	39 2188 19	Oil Seal	1	
5	59 2100 06	'O' Ring	1	
6	39 0752 01	C' Sunk Head Screw	3	
7	39 2603 20	Bearing Ball (For Input shaft)	1	
8	59 2000 06	Bearing Ball (For Output shaft)	1	
9	39 2185 20	Balancer LH Bearing	1	
10	30 1010 14	Oil Seal (For Output shaft)	1	
11	39 2190 19	Oil Seal (For Shift lever)	1	
12	DH 1012 03	Breather pipe	1	
13	DH 1012 46	Rubber tube	1	
14	28 1011 74	Spring Clip	1	
15	DH 1016 61	Plug (Drain Bolt)	1	
16	DG 1014 98	Gasket (For Drain Bolt)	1	
17	DK 1013 80	Switch comp. (Neutral)	1	
18	39 2181 06	Hollow dowel pin	2	
19	39 1677 04	Bolt	8	
20	DH 1013 90	Bolt Flanged Pre Coated (M8 X 82)	1	
21	DJ 2010 21	Cable assly. (Battery to Earth)	1	
22	39 2448 11	Plain Washer	1	
23	DK 1010 97	Damper	1	
24	39 2180 06	Hollow dowel pin	2	

Cover RH



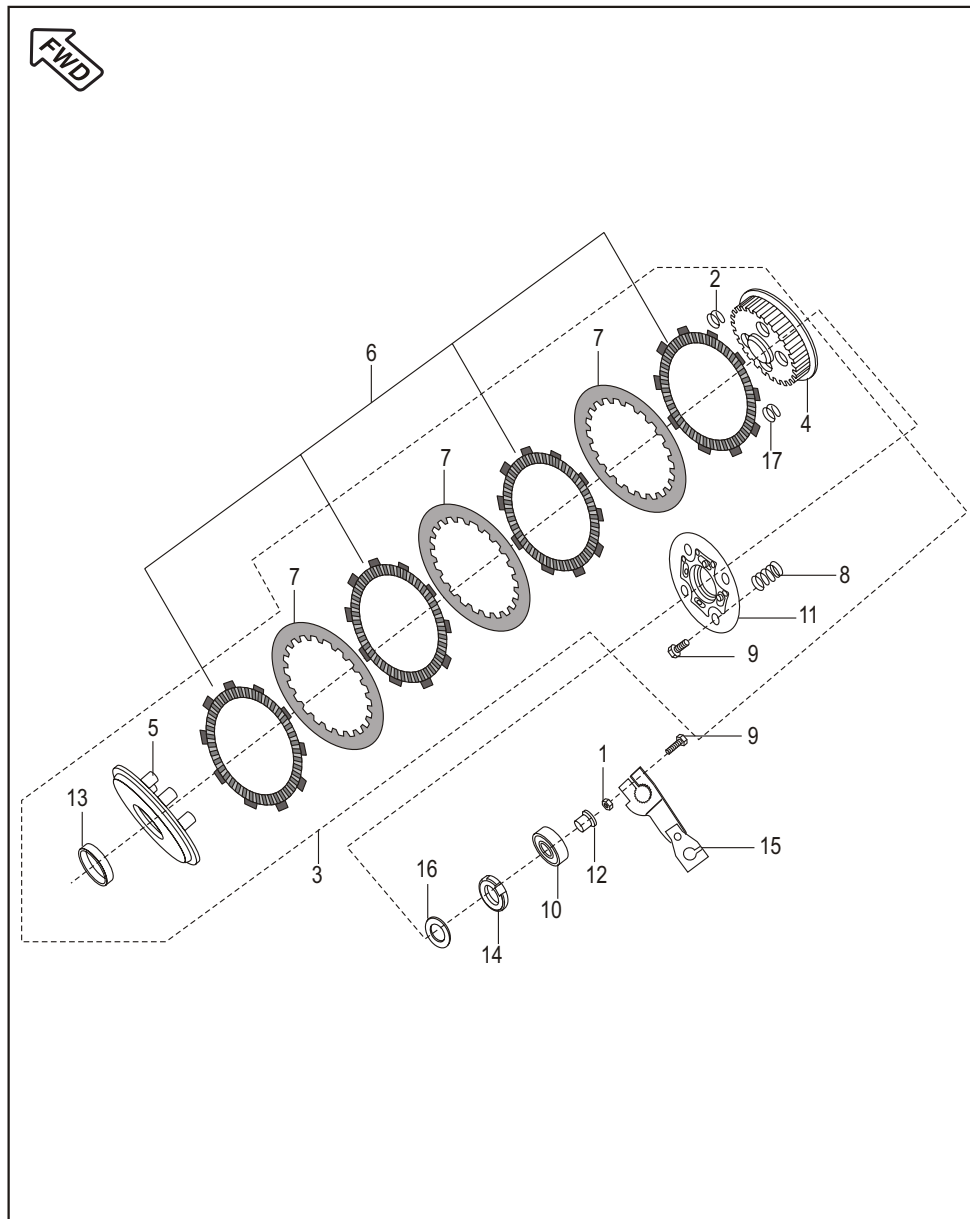
No.	Part No.	Description	Qty. /Veh.	Remarks
1	52 DJ03 90	Clutch Cover with Tapper Plug DJ	1	
1A	36 DJ40 17	Kit Assly Clutch Cover Flower Type	1	Ref. Cir. C-31
	36 DJ40 26	Kit Assly Clutch Cover Flower Type	1	MLT Silver
2	DH 1011 97	Grommet Breather	1	
3	DH 1011 42	Shaft clutch release	1	
4	39 1041 19	Seal clutch lever	1	
5	DH 1011 41	Rack	1	
6	DS 1012 63	Dip stick with 'O' ring	1	
7	DK 1012 51	Parallel pin	1	
8	DG 1014 18	Gauge	1	
9	DS 1012 15	Wire circlip	1	
10	DS 1013 53	Bolt	10	
11	39 0999 06	Pin Dowel	2	
12	DH 1010 18	Bracket Clutch Cable	1	
13	DH 1011 54	Gasket cover RH	1	
14	DK 1014 80	Plunger Oil	1	
15	DH 1210 11	Plate Plunger Oil	1	
16	DH 1210 12	Spring Joint 'A'	1	
17	DH 1015 44	Spring torsion clutch lever	1	
18	39 2443 11	Washer	1	
19	36 DH10 04	Set damper	1	Ref. Page No. 101
20	DH 1013 88	Flanged Bolt	5	
21	JC 1010 40	'Bajaj' Decal	1	Fitted on Cover comp.RH
21A	DK 1017 38	Decal Clutch Cover	1	Ref Cir. C-31
22	39 1990 20	Bushing	1	
23	36 DH10 05	Set of Plate	1	Ref. Page No. 101
24	DH 1014 82	Plate	1	
25	DH 1015 10	Damper	1	

Cover Magneto



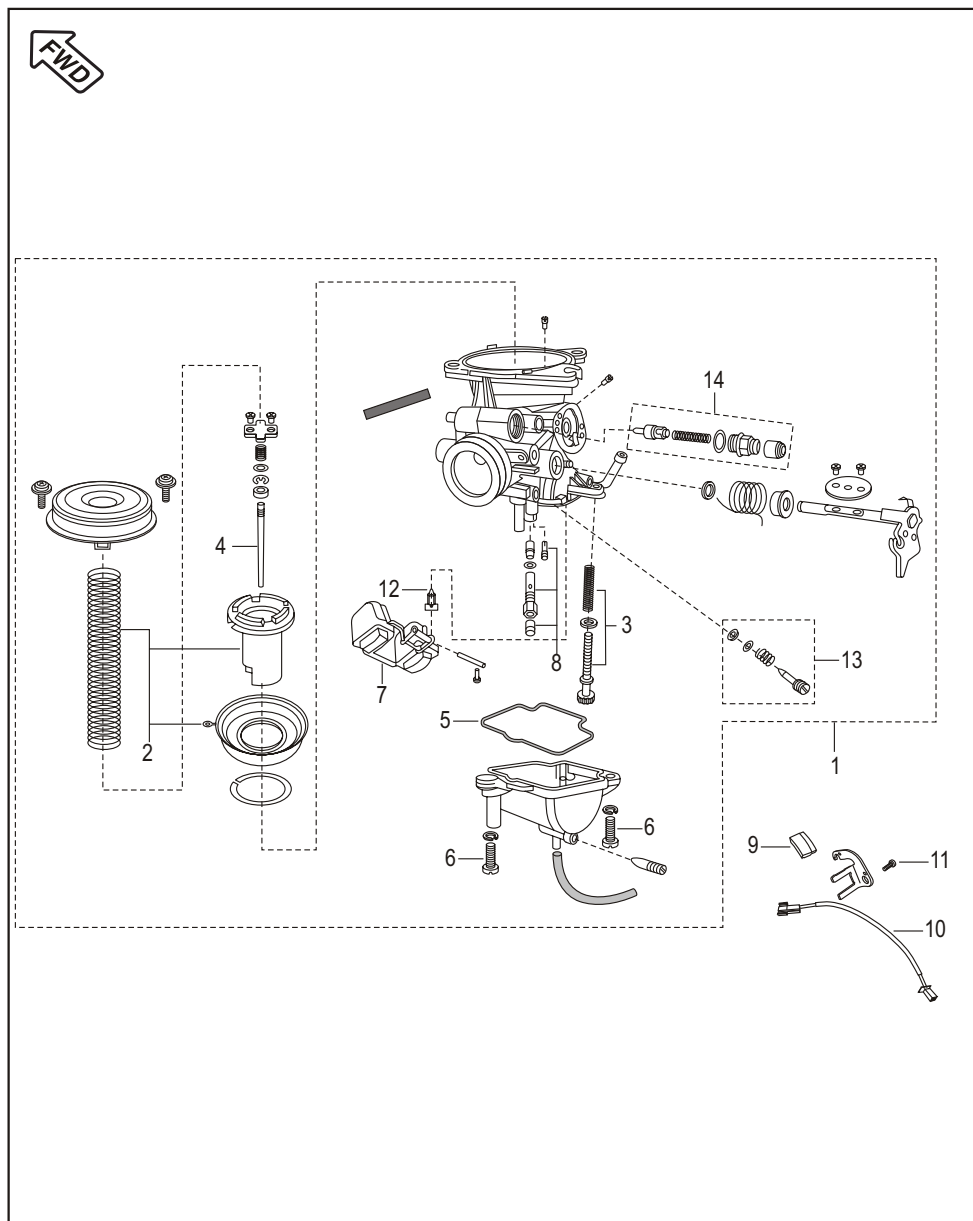
No.	Part No.	Description	Qty. /Veh.	Remarks
1	DJ 1012 71	Cover Magneto	1	
1A	52 DH06 24	Magneto Cover Flower Design	1	Ref. Cir. C-31
	52 DH06 86	Magneto Cover Flower Design	1	MLT Silver
2	DV 1010 42	Gasket Magneto cover	1	
3	DS 1013 53	Bolt	5	
4	39 0999 06	Pin Dowel	2	
5	DH 1011 57	Cap Crank Center	1	
6	39 1283 21	'O' Ring	1	
7	JC 1010 33	Cover LH RR	1	
	DK 1017 62	Cover LH RR	1	MLT Silver
8	36 DH10 06	Set Damper	1	Ref. Page No.101
9	DH 1013 88	Flanged Bolt	6	
10	DH 1013 23	'Bajaj' Decal	1	Fitted on Cover magneto
10A	JE 5412 12	Decal Magneto Comp.	1	Ref Cir. C-31
11	36 DH10 07	Set of Plate	1	Ref. Page No.101
12	DS 1013 53	Bolt	2	
13	DJ 1612 28	Sticker	1	

Clutch



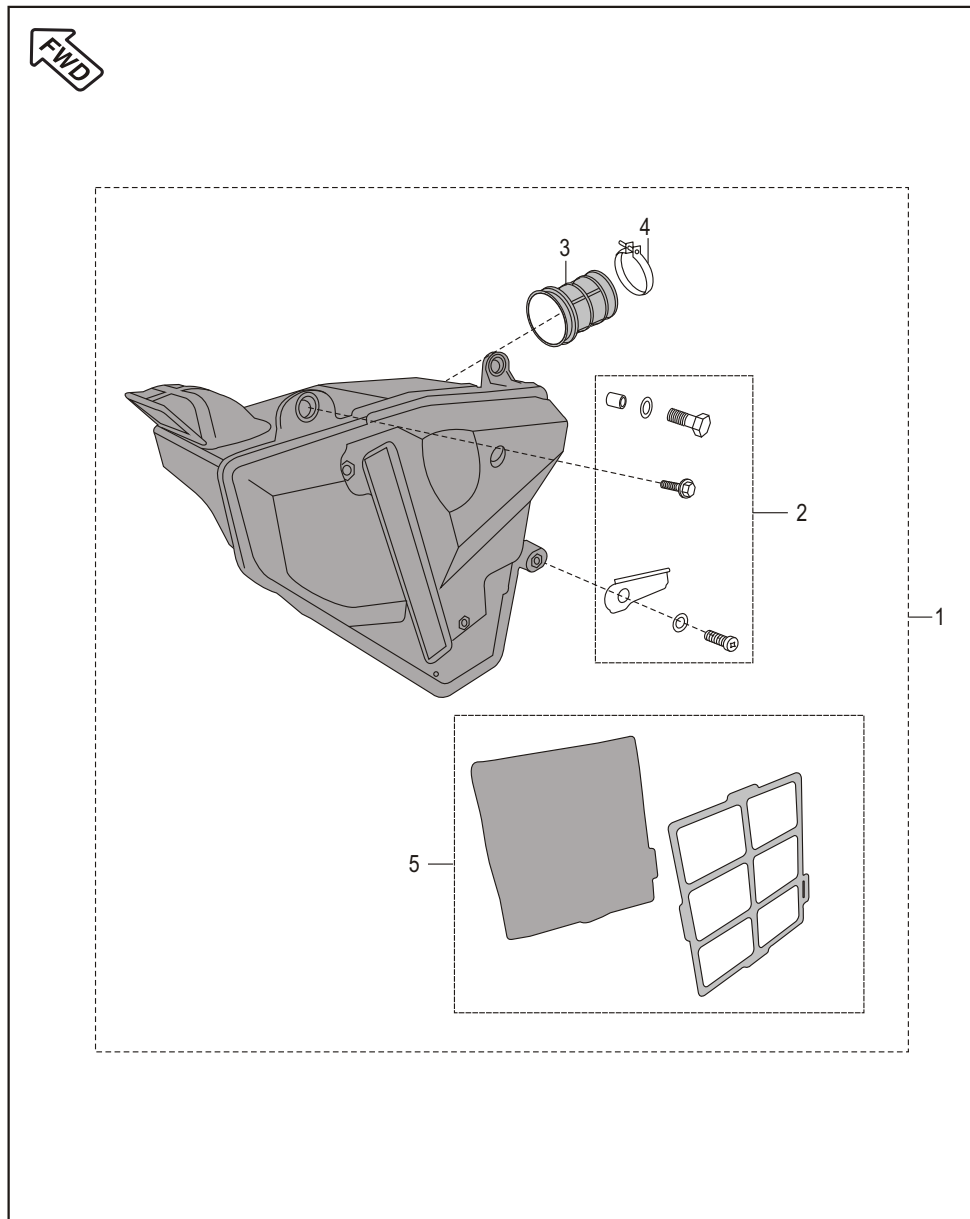
No.	Part No.	Description	Qty. /Veh.	Remarks
1	DH 1012 75	Special Nut	1	
2	DK 1015 71	Spring judder	1	
3	DJ 1013 50	Clutch Assly. Complete	1	
4	DK 1015 64	Clutch Center	1	
5	DK 1015 69	Plate Clutch Pressure	1	
6	DJ 1013 69	Friction Plate Kit	1	
7	DK 1015 65	Plate Clutch	5	
8	DH 1018 61	Spring Clutch Capacity	4	
9	DK 1015 74	Bolt	5	
10	39 1880 20	Bearing Ball:- 15 X 32 X 9 (6002-C3)	1	
11	DK 1015 73	Holder Clutch	1	
12	DK 1010 72	Rod Clutch lifter	1	
13	DK 1011 26	Spacer clutch	1	
14	DH 1016 48	Nut Primary drive lock	1	LH Thread
15	DH 1011 80	Lever Assly. Clutch	1	
	DK 1016 36	Lever Assly. Clutch	1	From Engine No. DJGBSC54429
16	39 2200 11	Washer Primary Drive Gear	1	
17	DK 1015 70	Seat judder spring	1	

Carburettor



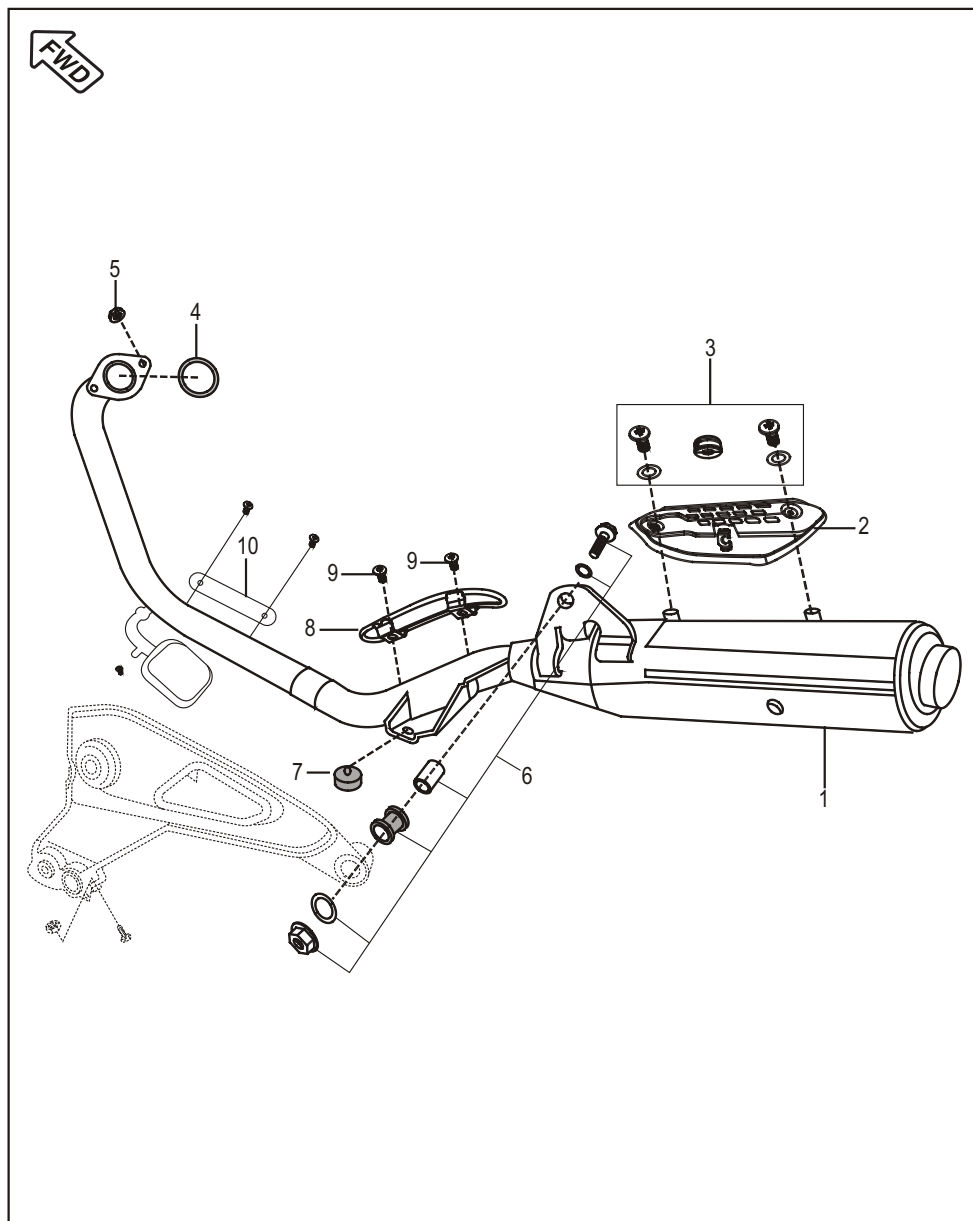
No.	Part No.	Description	Qty. /Veh.	Remarks
1	DJ 1210 41	Carburettor Assly.	1	
2	DJ 1210 51	Vaccum Piston Kit	1	
3	DH 1211 49	Idling Screw Kit	1	
4	DJ 1210 44	Jet needle(JN)	1	
5	DJ 1210 53	"O" ring	1	
6	DJ 1210 54	Screw	2	
7	DJ 1210 55	Float assly.	1	
8	DJ 1210 56	Jet Holder Kit	1	
9	DH 1211 01	Magnet Assly.	1	
10	DJ 1210 70	Reed Switch Assly.	1	
11	39 1780 01	Pan Head Screw	2	
12	DJ 1210 57	Needle Assly.	1	
13	DH 1211 50	Set Adjuster(PS)	1	
14	DJ 1210 59	Set Plunger assly.	1	

Air Cleaner Comp



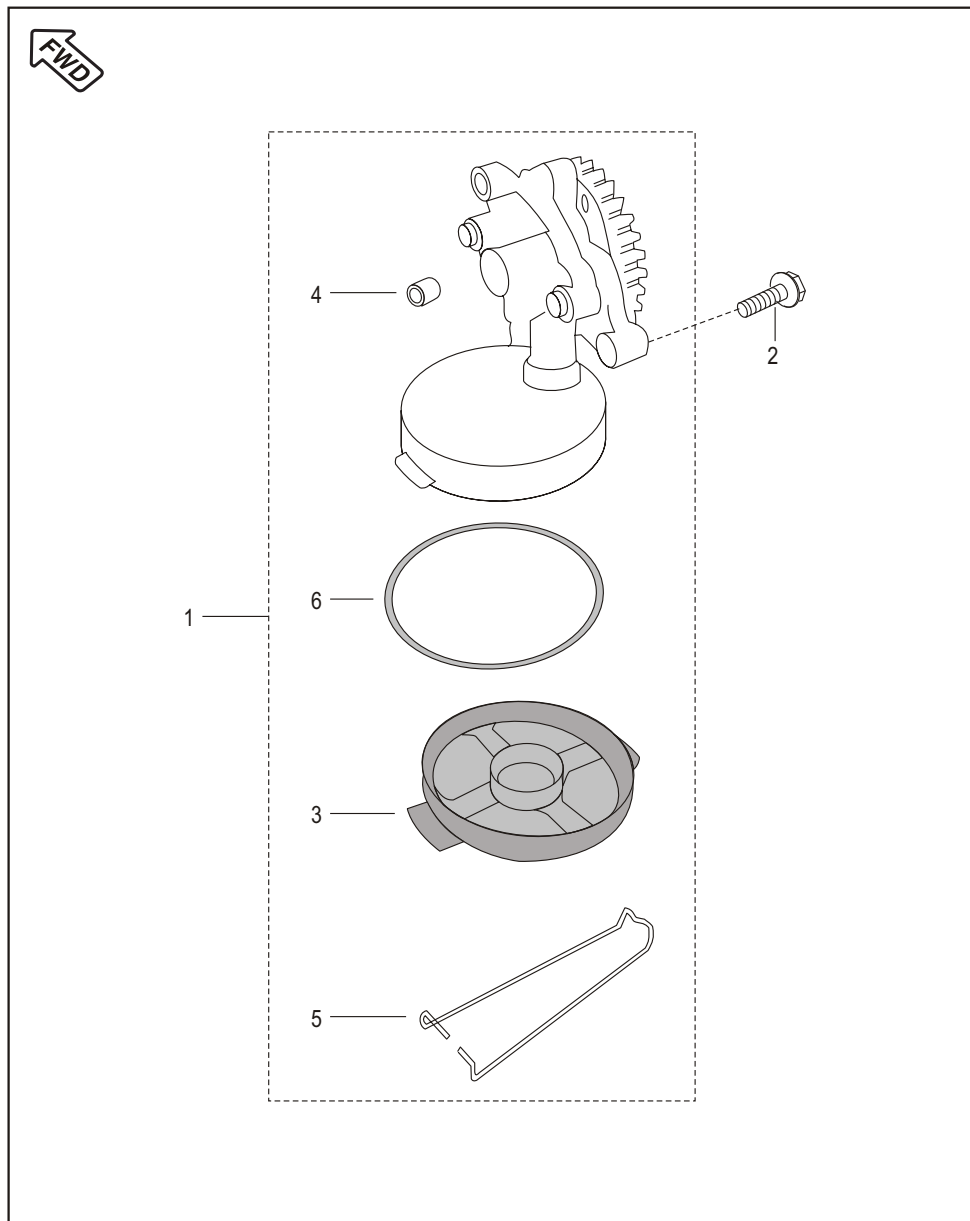
No.	Part No.	Description	Qty./Veh.	Remarks
1	DJ 1210 71	Air Cleaner comp	1	
2	36 DH40 10	Kit hardware air cleaner	1	Ref. Page No.101
3	DJ 1210 68	Connecting Tube	1	
4	AA 1210 45	Clamp	1	
5	36 DK00 15	Kit element air filter	1	(Fine & Coarse) Ref. Page No.102

Silencer Assly.



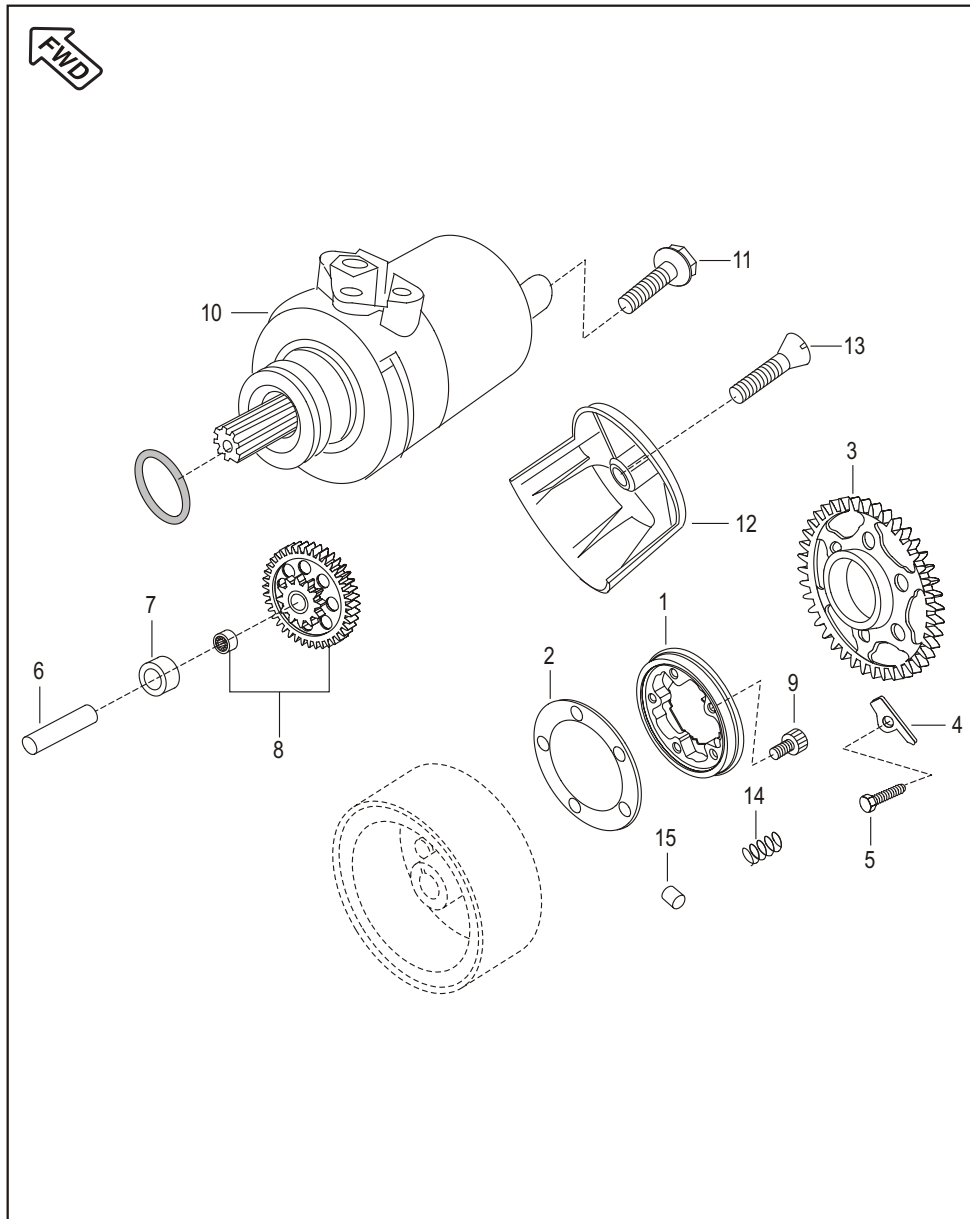
No.	Part No.	Description	Qty. /Veh.	Remarks
1	DJ 1013 91	Silencer W/O Shield	1	
	DJ 1014 20	Silencer (Non Cat.)	1	
2	DH 1014 68	Shield Muffler	1	
3	36 DH40 11	Kit hardware shield	1	Ref. PageNo.102
4	DJ 1010 64	Gasket Exhaust	1	
5	39 1970 15	Flanged Nut	2	
6	36 DK00 09	Kit hardware silencer	1	Ref. Page No.102
7	DG 1611 24	Damper (Main Stand)	1	
8	DH 1015 21	Wire Shield Assly.	1	
9	DH 1013 02	Screw	2	
10	DH 1016 08	Silencer front (cat) shield	2	

Oil Pump



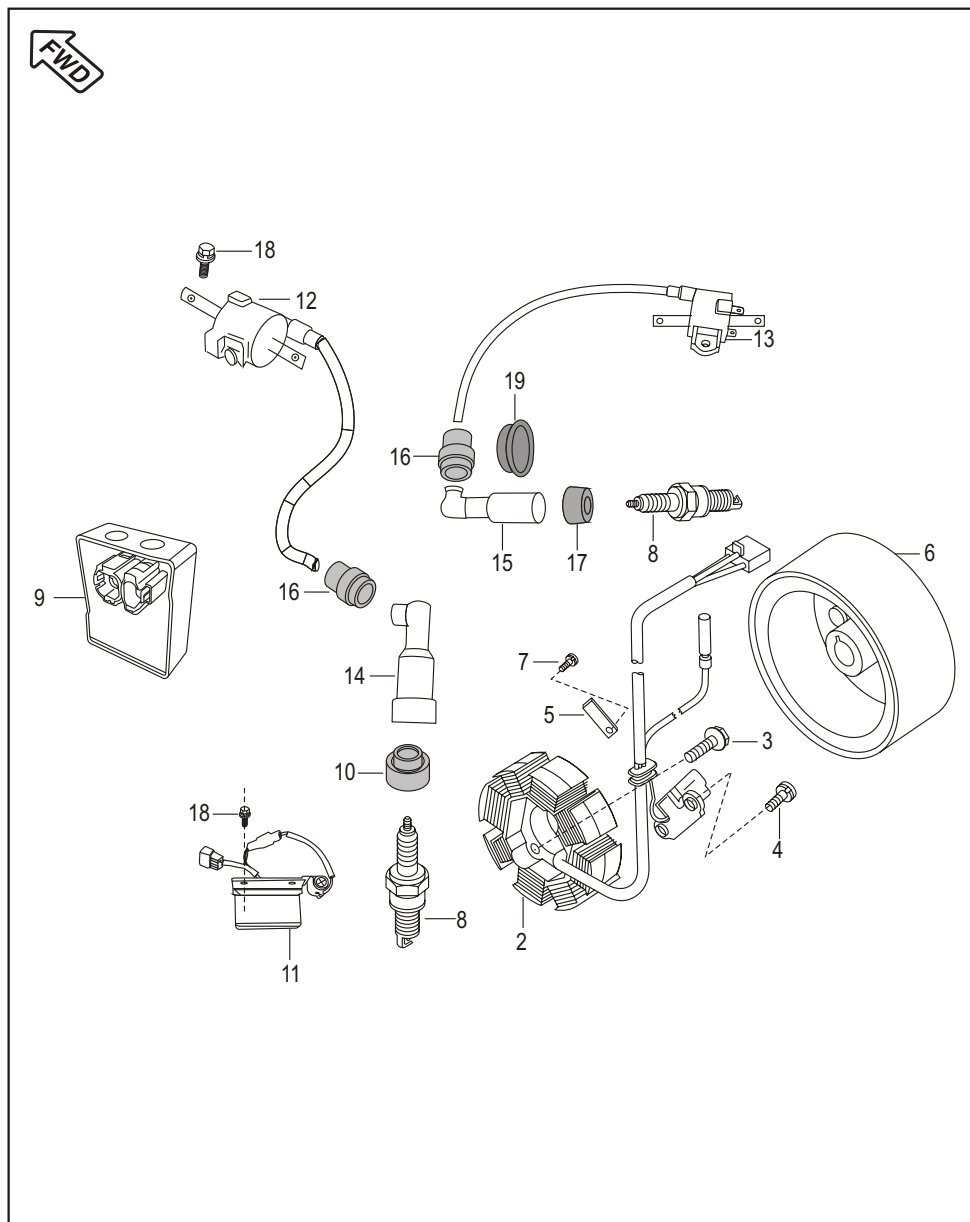
No.	Part No.	Description	Qty. /Veh.	Remarks
1	52 DH01 69	Oil Pump Assly	1	
2	39 1674 04	Hex. Bolt with flange	3	
3	DH 1210 10	Mesh filter Oil pump	1	
4	39 1686 06	Hollow dowel pin	1	
5	DH 1210 35	Clip Mesh Oil filter	1	
6	39 2194 21	'O' Ring	1	

Starter Assly.



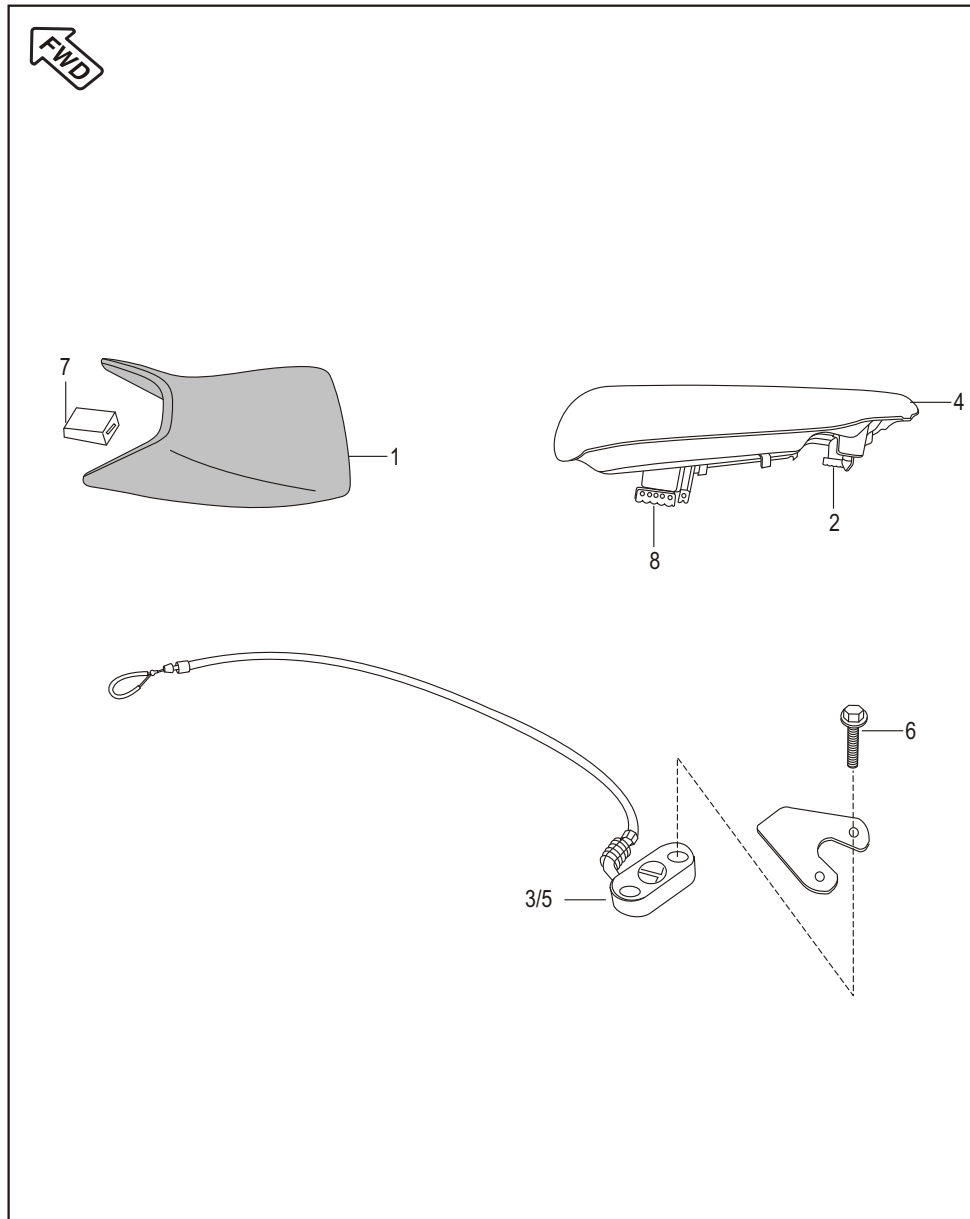
No.	Part No.	Description	Qty. /Veh.	Remarks
1	36 DK00 76	Body comp. starter clutch	1	
2	DK 1016 05	Plate roller clutch	1	
3	JC 1011 14	Gear starter clutch	1	
4	DH 1015 81	Plate starter clutch gear return	1	
5	DH 1013 85	Bolt	1	For stopper Plate
6	DK 1011 76	Shaft starter counter	1	
7	DH 1011 72	Collar starter counter	1	
8	JC 1011 15	Gear comp. starter counter assly.	1	
9	39 0972 04	Bolt socket M6	3	
10	DH 1110 84	Motor assly. starter clutch	1	
11	DS 1013 53	Bolt	2	
12	52 DH01 53	Cover starter motor	1	
	DK 1017 70	Cover starter motor	1	MLT Silver
13	DH 1013 89	Slotted c'sunk screw	1	
14	36 DK00 77	Spring	1	
15	DH 1011 63	Roller	5	
16	59 2000 07	Needle Roller Bearing (For Gear Starter Clutch)	1	N.I.

Magneto / C.D.I. /H.T. Coil



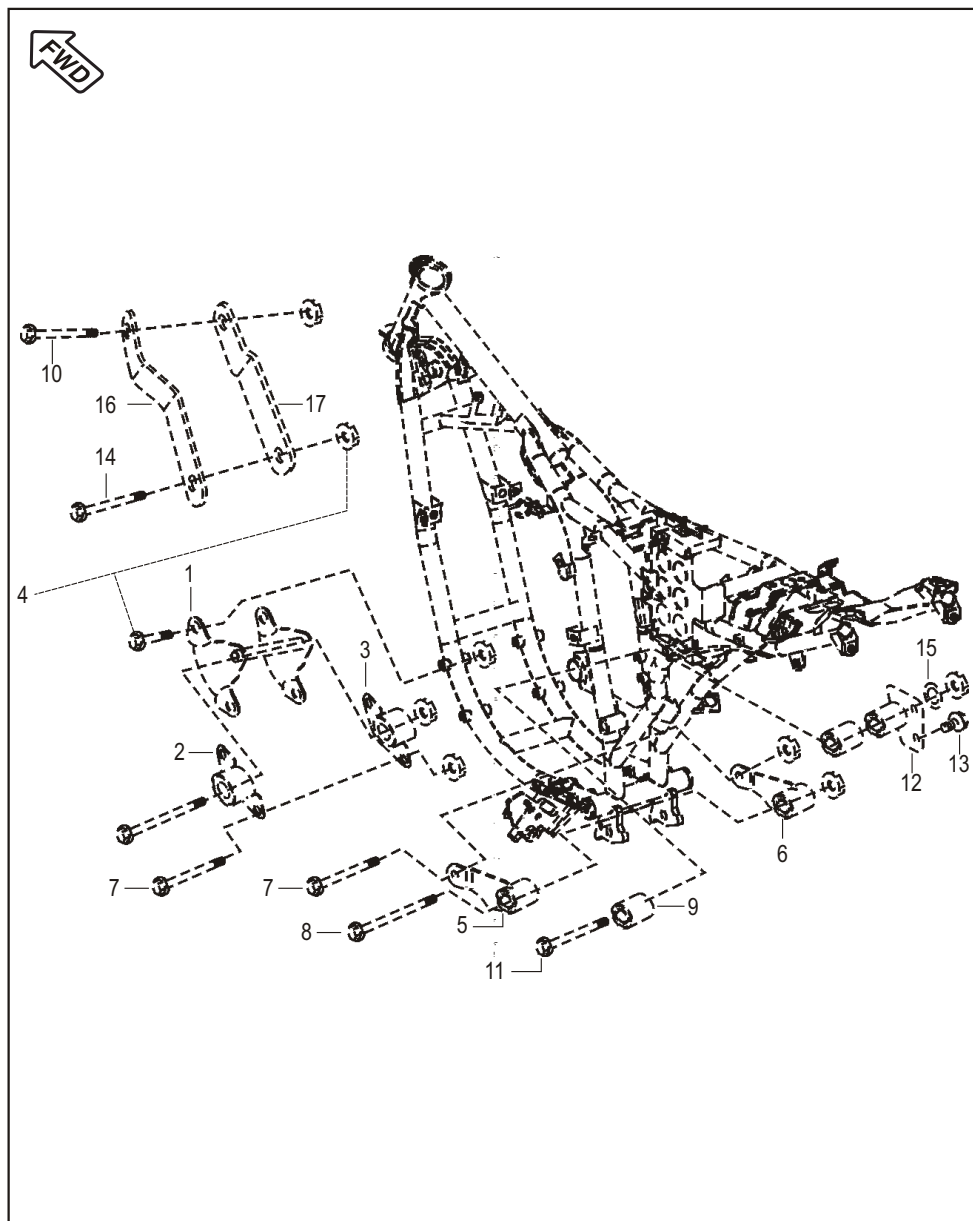
No.	Part No.	Description	Qty. /Veh.	Remarks
1	59 1000 02	Spring Dowel	1	N.I.
2	DH 1110 81	Stator Assly. comp	1	
3	DH 1013 86	Hex. Bolt with Flange	2	
4	DH 1013 81	Pan Head Screw	2	
5	DH 1011 99	Stopper plate (wiring harness)	1	
6	DH 1110 83	Rotor Assly.	1	
7	DH 1013 80	Screw Pan head	1	
8	DG 1110 08	Spark plug	2	
9	DJ 1110 92	C.D.I. Assly.	1	
10	DH 1110 13	Grommet Spark Plug	1	
11	DJ 2012 02	Regulator (With Bracket)	1	
12	JC 1110 22	H.T. Coil LH with cable	1	
13	JC 1110 23	H.T. Coil RH with cable	1	
14	DD 1110 48	Cap Spark Plug	1	
15	DH 1110 15	Cap Spark Plug	2	
16	DD 1110 12	Grommet H.T. Cable	2	
17	DH 1110 13	Grommet Spark Plug	1	
18	39 1944 04	Flange Bolt	4	
19	DH 1110 16	Grommet Sleeve Spark Plug	1	

Seat Assembly / Seat Lock



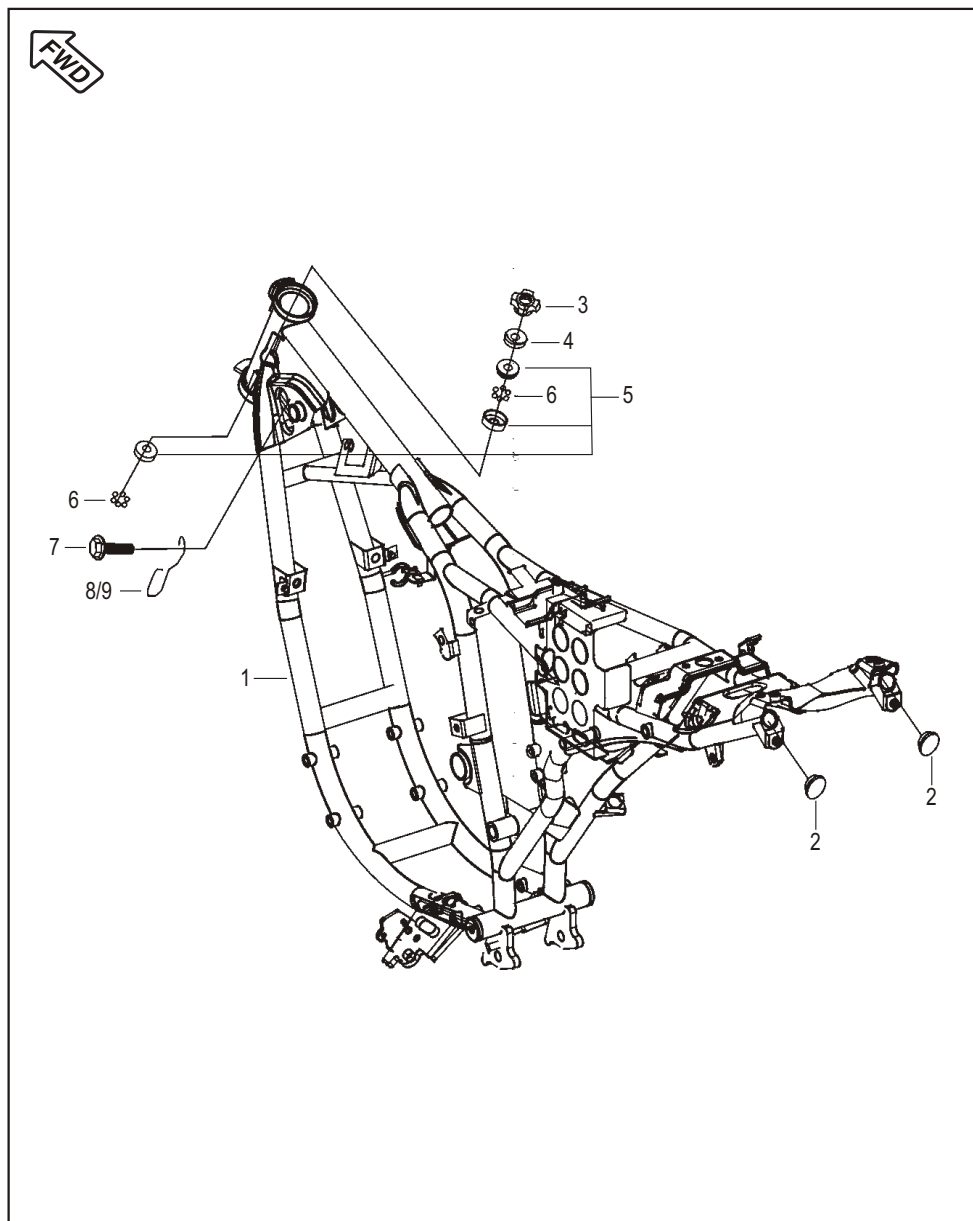
No.	Part No.	Description	Qty. /Veh.	Remarks
1	DK 2110 01	Seat Assly comp front	1	
2	DS 2110 05	Damper	6	
3	DH 1610 46	Lock Assly seat front	1	
4	DK 2110 04	Seat assly comp rear	1	
5	DK 2110 08	Lock assly seat rear	1	
6	39 1902 04	Bolt flange	4	
7	DK 2110 07	Damper Front	1	
8	DS 2110 04	Damper	2	

Engine Mounting



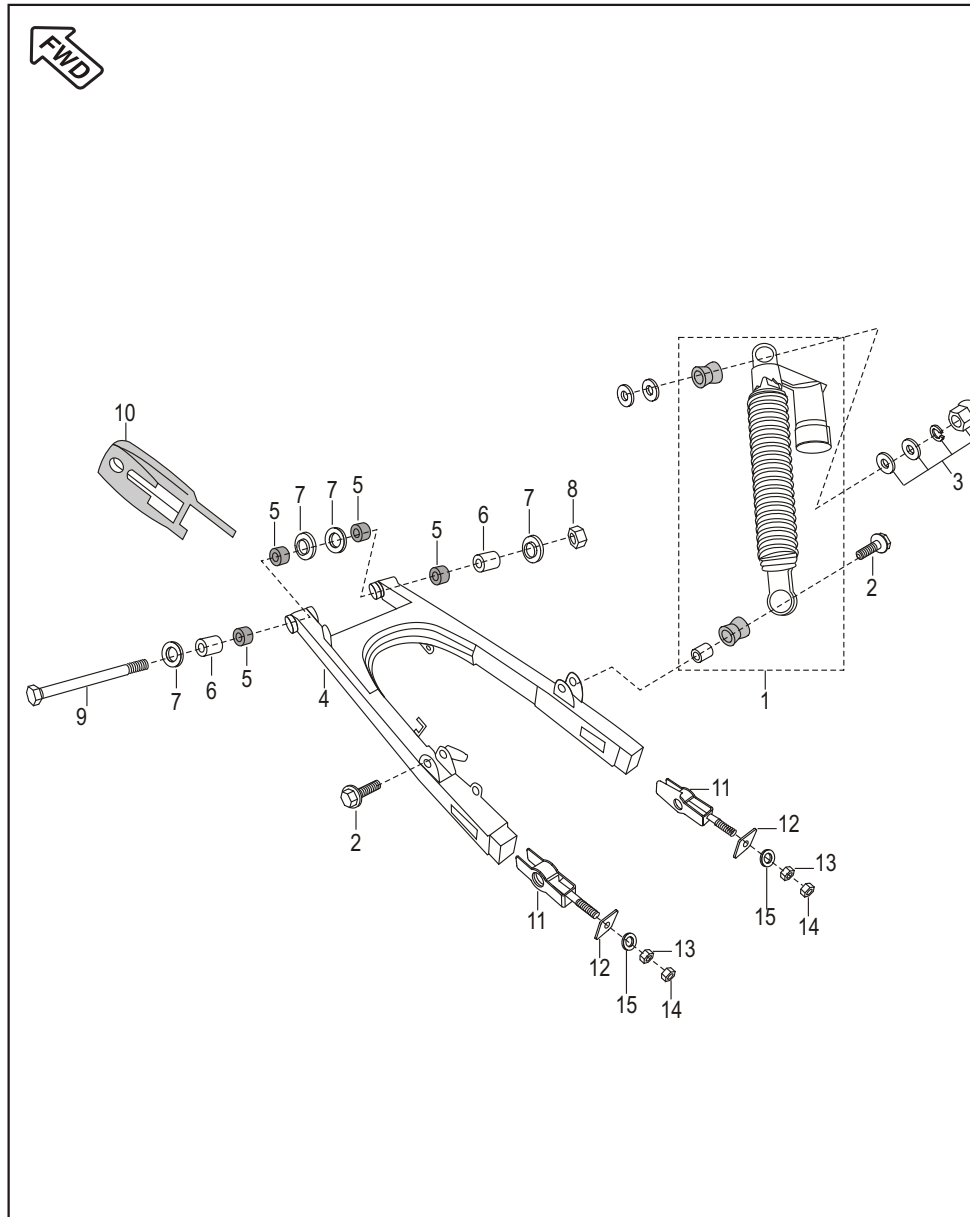
No.	Part No.	Description	Qty. /Veh.	Remarks
1	DK 1610 96	Bkt. Assly. Eng. Mtg. front	2	
2	DH 1611 89	Bkt. Comp. LH eng. Mtg. front	1	
3	DH 1611 90	Bkt. Comp. RH eng. Mtg. front	1	
4	36 DK00 11	Kit hardware eng. mounting	1	Ref. Page No.102
5	DK 1611 59	Bkt. comp. LH eng. mtg. lower	1	
6	DK 1611 60	Bkt. comp. RH eng. mtg. lower	1	
7	39 2157 04	Bolt Flanged	2	
8	39 2412 04	Bolt Flanged	1	
9	DH 1612 73	Bush in frame	1	
10	39 1967 04	Bolt	1	
11	59 0400 43	Hex. Soc. Hd. cap bolt	1	
12	DK 1611 61	Bkt. Comp. RH eng. rear	1	
13	39 2310 04	Flanged bolt	2	
14	39 2412 04	Bolt Hex Head with Flange :- M8	1	
15	39 1040 11	Washer	1	
16	DH 1611 89	Bracket LH Engine Hanger	1	
17	DH 1611 90	Bracket RH Engine Hanger	1	

Frame & Frame Fittings



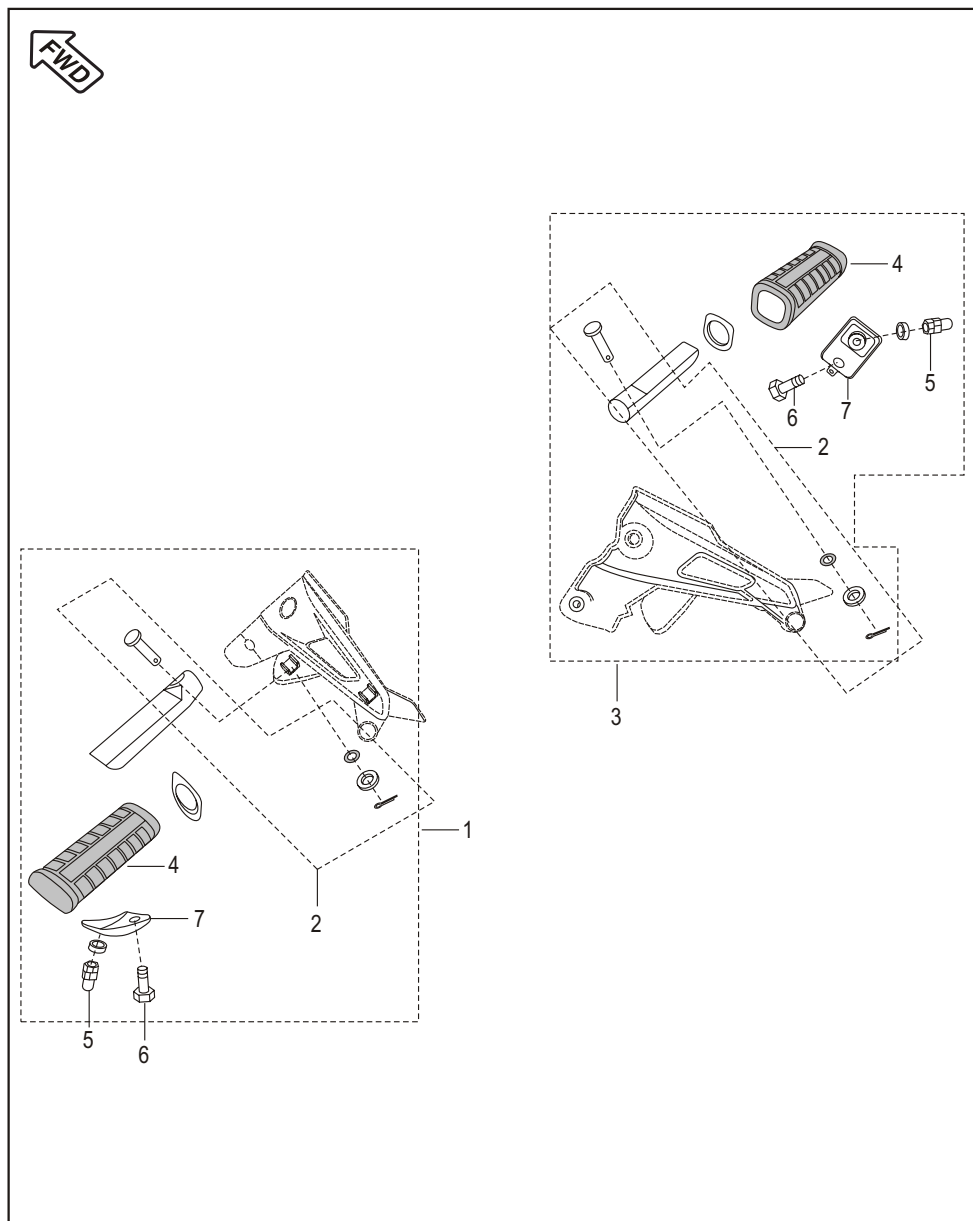
No.	Part No.	Description	Qty. /Veh.	Remarks
1	JC 1610 31	Frame Assl. comp.	1	
2	DH 1611 12	Cup rear	2	
3	DG 1810 48	Nut	1	
4	DG 1810 42	Cup - Steering	1	
5	36 DV00 07	Bearing Cone Kit	1	Ref. Page No.102
6	36 3140 02	Kit Ball Steel Steering (Set of 42)	1	
7	39 1680 04	Flanged bolt	2	Old
	DS 1612 24	Flanged bolt	2	New 29.5.2010
8	DJ 1611 32	Cable Hook LH	1	
9	DJ 1611 33	Cable Hook RH	1	
10	JC 1610 15	Bkt. Engine Mounting Upper RH	1	N.I.
11	JC 1610 14	Bkt. Engine Mounting Upper LH	1	N.I.

Swing Arm / Rear Shock Absorber



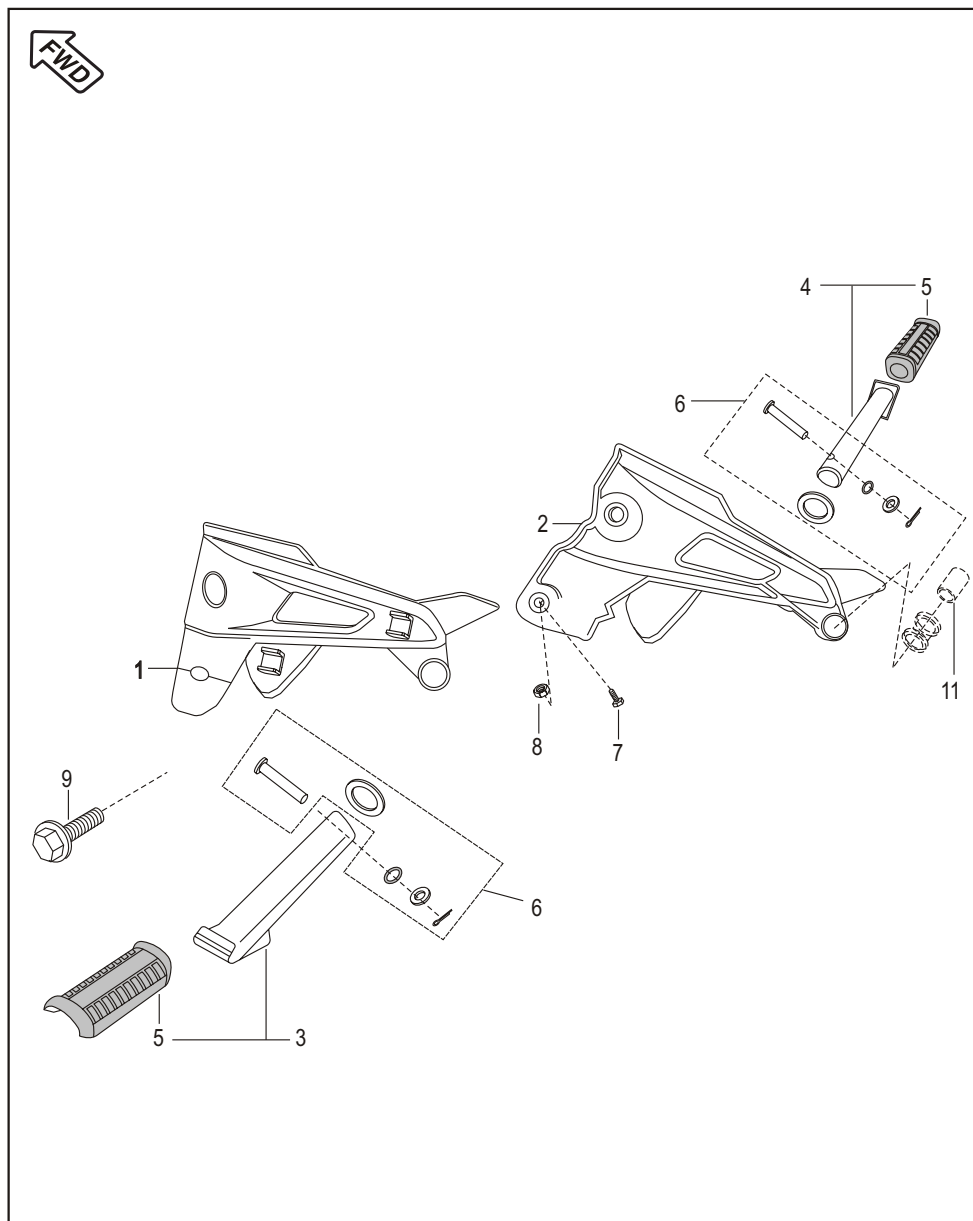
No.	Part No.	Description	Qty. /Veh.	Remarks
1	DK 1710 14	Rear Shock Absorber Assly.	2	
2	DG 1710 38	Bolt Pre-coated	2	
3	36 DK00 12	Kit bush rear shock	1	Ref. Page No.102
4	DJ 1710 35	Swing arm assly.	1	
5	DG 1710 18	Swing arm bearing	4	
6	DK 1710 06	Collar swing arm	2	
7	DG 1710 19	Oil seal swing arm	4	
8	DH 1710 19	'U' nut swing arm	1	
9	DK 1710 03	Shaft swing arm	1	
10	DG 1710 34	Chain slider	1	
11	DG 1710 21	Adjuster chain LH	2	Old
	JM 1710 03	Adjuster chain LH	2	Ref. Cir. C-31
12	DG 1710 20	Plate Chain Adjuster	2	Old
	JM 1710 04	Plate Chain Adjuster	2	Ref. Cir. C-31
13	39 1997 15	Hexagon nut	2	
14	DG 1710 22	Small nut	2	
15	39 1224 11	Washer	2	

Rider Foot Rest



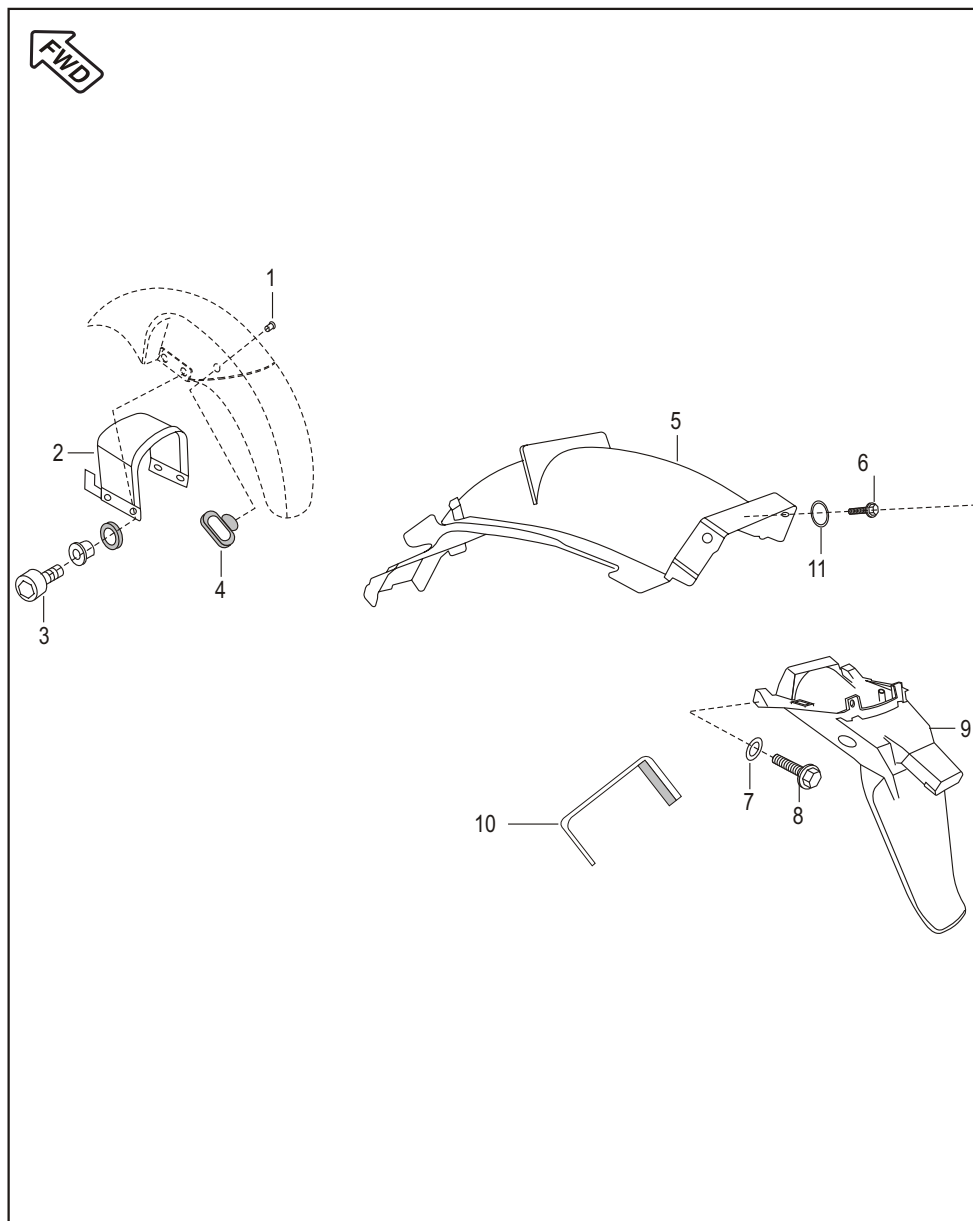
No.	Part No.	Description	Qty. /Veh.	Remarks
1	DJ 1611 26	Main step LH assly.	1	
2	36 DK00 13	Kit Hardware Main Step	2	
3	DJ 1611 27	Main step RH assly.	1	
4	DH 1610 53	Rubber main step	2	
5	39 1282 15	Domed Cap Nut M-8	2	
6	22 1504 51	Bold Hexagon Head	2	
7	DH 1610 56	Plate Coml. Low M/Step	2	

Pillion Foot Rest / Holder



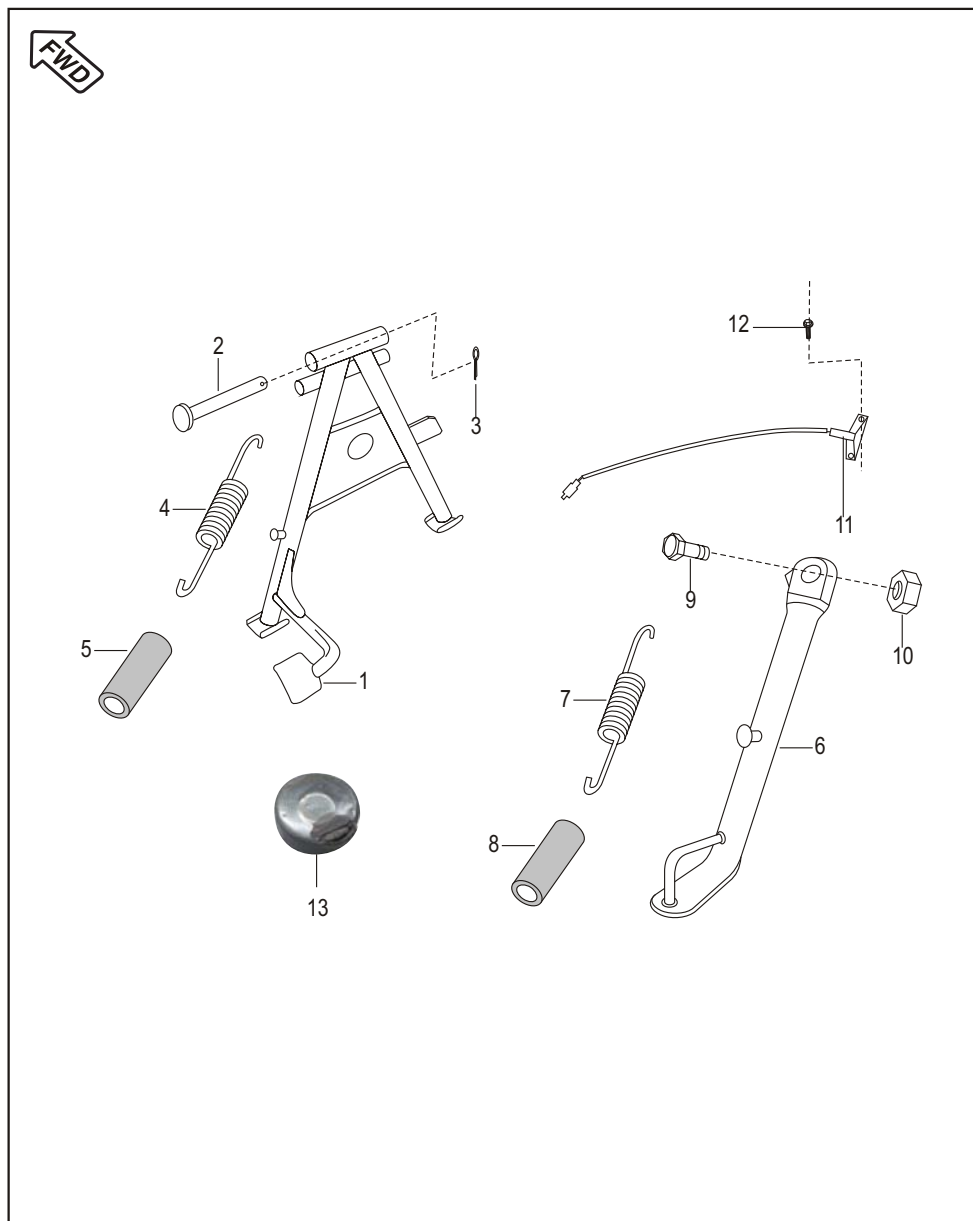
No.	Part No.	Description	Qty. /Veh.	Remarks
1	DK 1611 37	Holder Step LH	1	
	DK 1613 08	Holder Step LH	1	MLT Silver
2	JC 1610 02	Holder Step RH	1	
	DJ 1613 24	Holder Step RH	1	MLT Silver
3	DJ 1611 28	Pillion step assly. comp. LH	1	
4	DJ 1611 29	Pillion step assly. comp. RH	1	
5	DJ 1611 22	Rubber pillion step	2	
6	36 DK00 13	Kit hardware pillion	2	Ref. Page No.102
7	39 1069 01	Screw	1	Stopper bolt
8	39 0292 15	Nut	1	
9	39 2582 04	Bolt Hex Head Flange : M8X1.25XL 35 (for LH & RH Holder Step Mtg.)	2	
10	DJ 1611 86	Plate lock pillion step	2	NI
11	DH 1611 00	Spacer main step	1	NI

Mudguard - Front & Rear



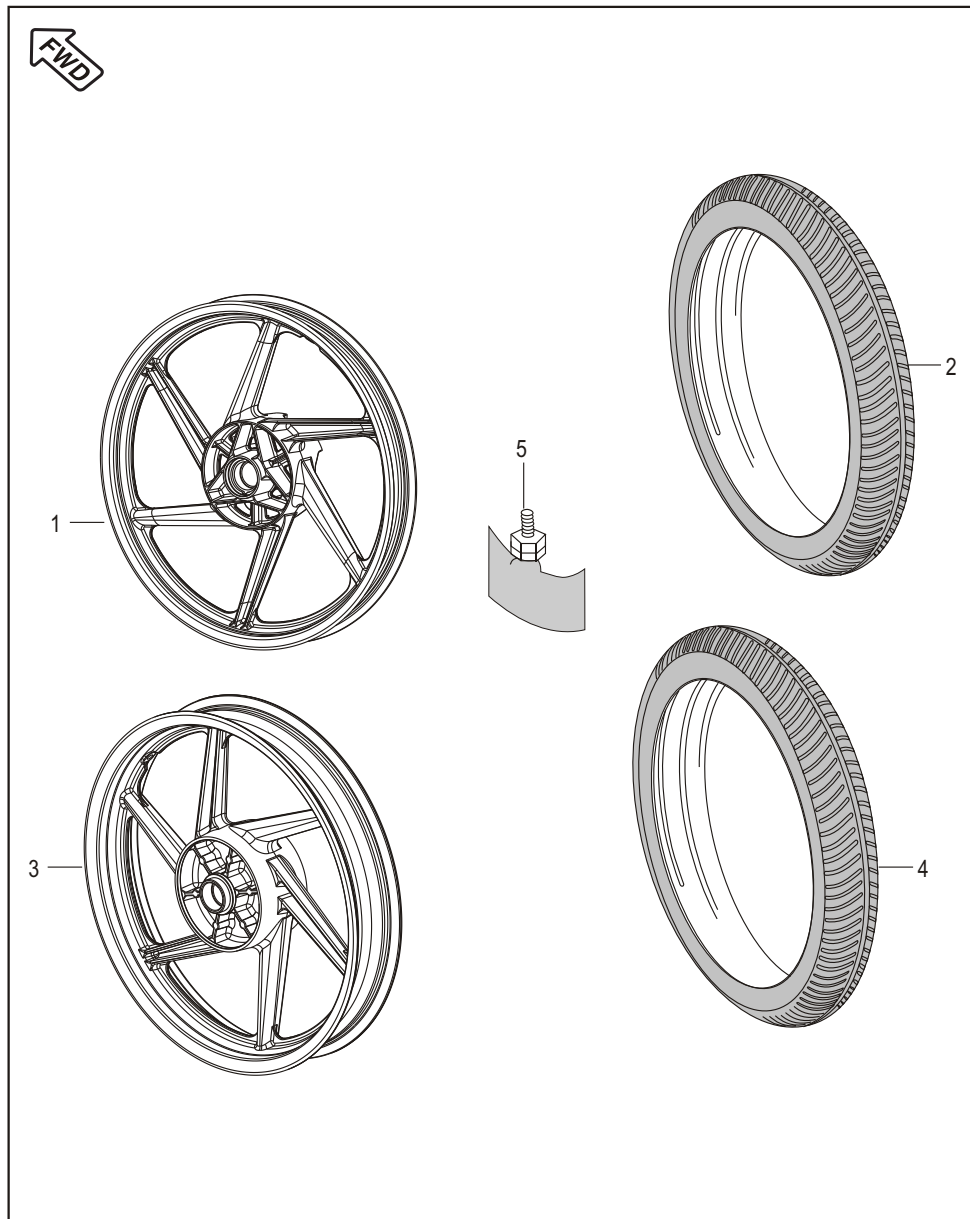
No.	Part No.	Description	Qty./Veh.	Remarks
1	DJ 1610 69	Nail for Cable Guide	1	
2	DK 1610 98	Brace fender	1	
3	59 0400 40	Step bolt	4	Fender front mtg.
4	DS 1611 25	Clamp	1	For cables
5	DK 1610 86	Fender rear front	1	
6	39 1672 04	Flange Bolt M6	2	
7	39 0711 11	Plain washer	2	
8	39 1680 04	Flange bolt	2	
9	DK 1610 85	Fender rear	1	
10	DJ 1612 72	Support assly for rear fender	1	
11	39 0211 11	Plain washer	2	

Stand Assembly



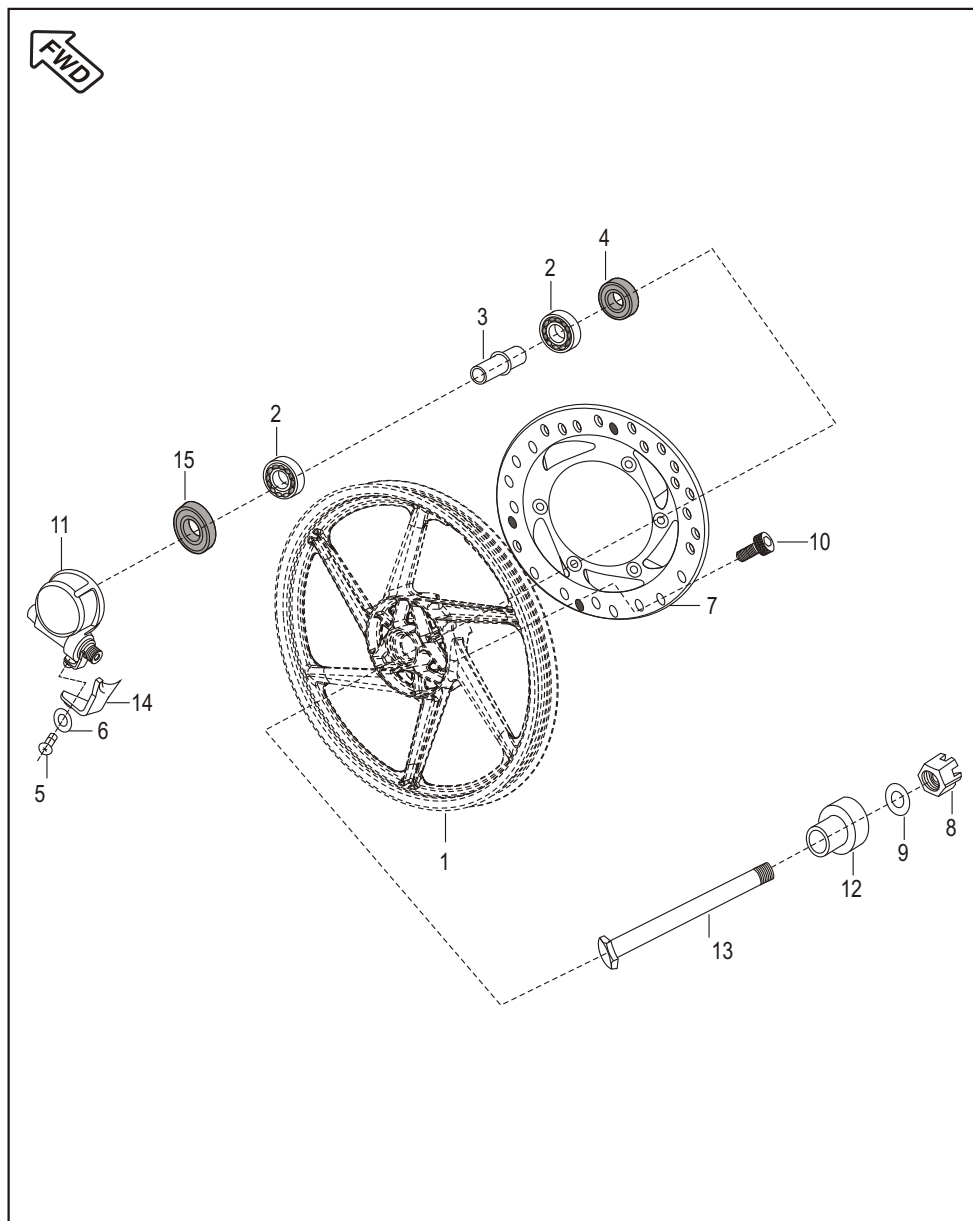
No.	Part No.	Description	Qty. /Veh.	Remarks
1	DK 1611 22	Stand main	1	
2	30 1611 57	Shaft stand	1	
3	39 0787 08	Pin cotter	1	
4	DH 1611 21	Spring main stand	1	
5	DH 1611 45	Cover spring main stand	1	
6	JC 1610 17	Stand side	1	
7	DH 1610 66	Spring side stand	1	
8	DH 1611 46	Cover spring side stand	1	
9	DF 1611 02	Bolt	1	
10	39 0422 15	Nut	1	
11	JC 2010 39	Side stand switch	1	
12	39 2060 04	Bolt	2	
13	DH 2010 65	Magnet Assly.	1	
	DJ 2011 06	Magnet Assly (Button Type)	1	

Tube / Tyre / Rim



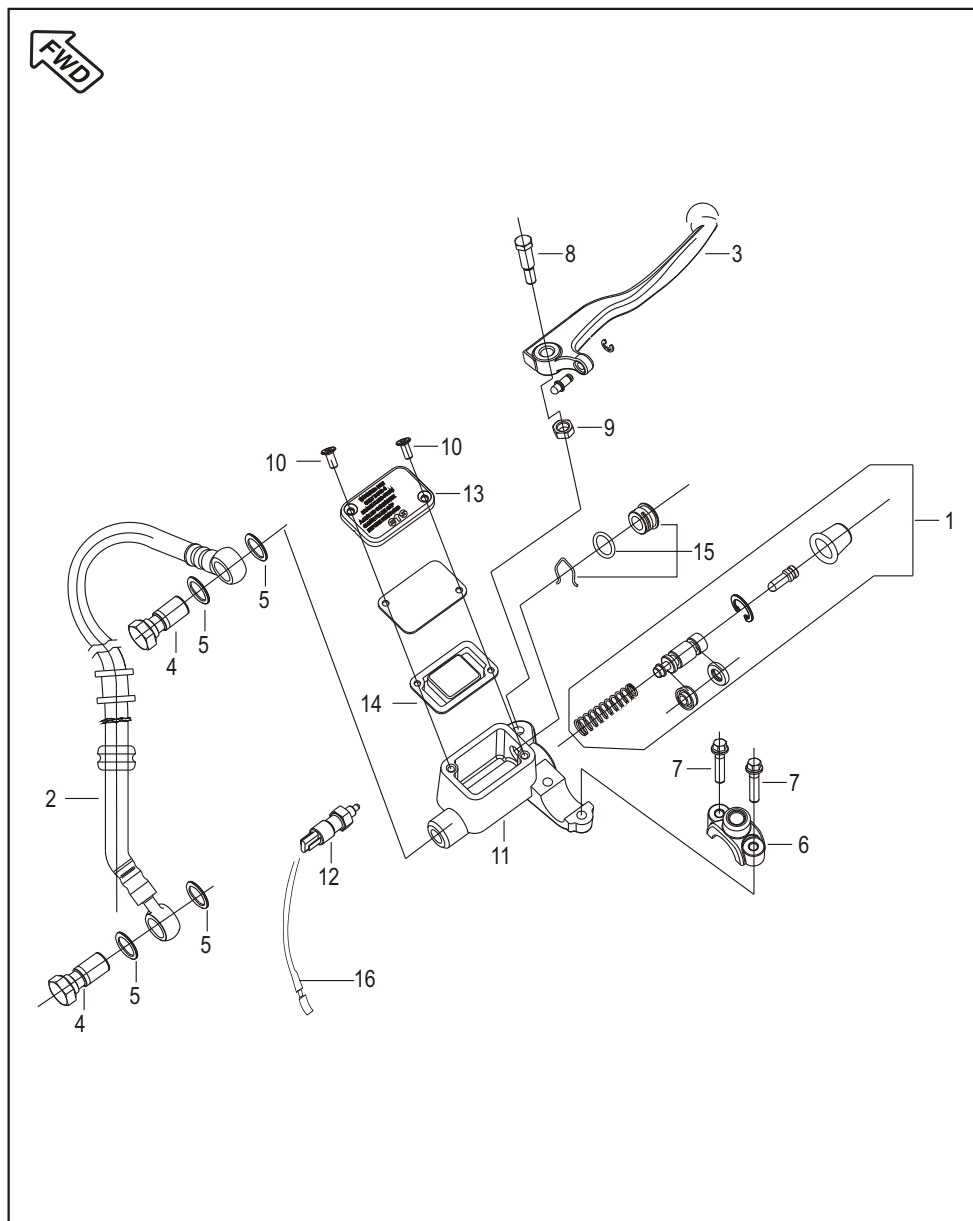
No.	Part No.	Description	Qty. /Veh.	Remarks
1	JC 1510 13	Wheel rim front (16 x 17 DC)	1	
2	DK 1510 39	Tyre front	1	
3	JC 1510 10	Wheel Rim Rear	1	
4	DK 1510 40	Tyre rear	1	
5	DK 1510 26	Valve for tubeless tyre	2	

Front Hub (For Disc Brake System)



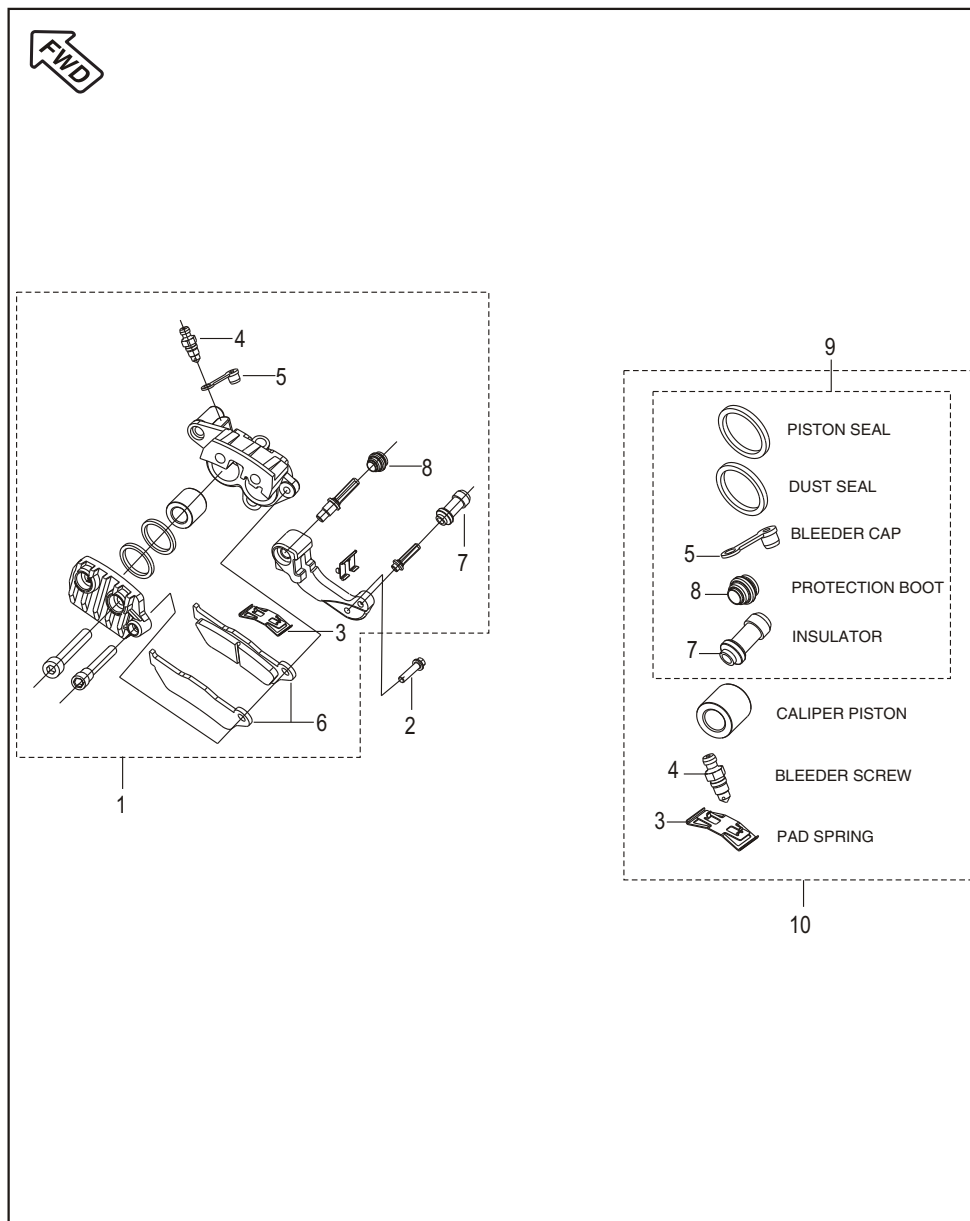
No.	Part No.	Description	Qty. /Veh.	Remarks
1	JC 1510 13	Wheel rim	1	
2	39 2241 20	Bearing ball	2	
3	DK 1510 28	Spacer assly.	1	
4	DG 1510 05	Seal oil	1	
5	39 0840 01	Screw	1	
6	39 0900 12	Washer	1	
7	DK 1510 27	Disc	1	
8	DH 1710 19	U Nut	1	
9	DG 1510 08	Plain washer	1	
10	DG 1510 49	Hex. soc. hd. bolt	6	
11	JC 1510 20	Case meter housing (W/o Speedo Sensor)	1	
12	DG 1510 07	Coller	1	
13	DK 1510 08	Front axle with head	1	
14	JC 2010 46	Stopper plate	1	
15	DE 1510 08	Seal Oil	1	

Front Master Cylinder



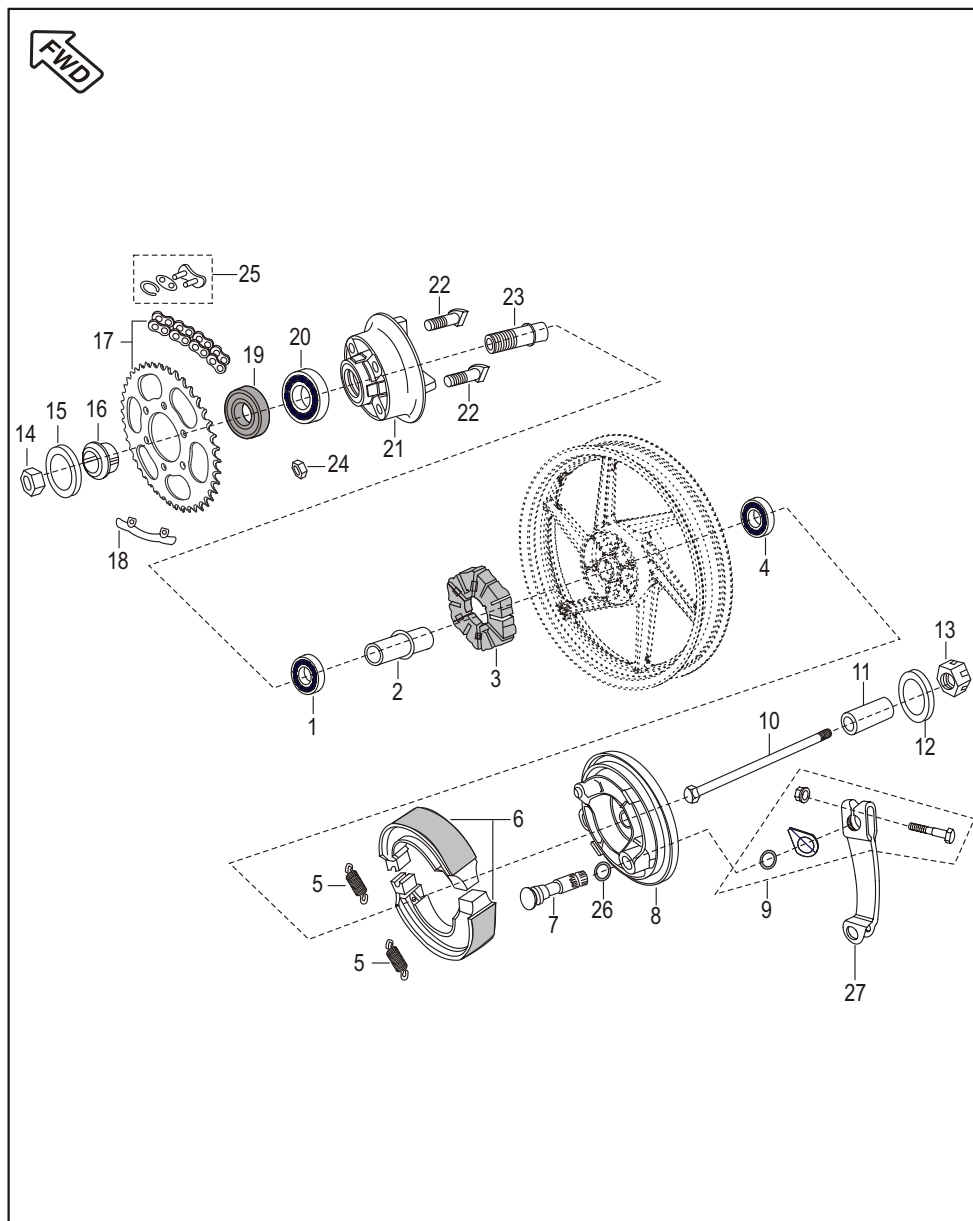
No.	Part No.	Description	Qty. /Veh.	Remarks
1	DE 1910 43	Major Kit - Master Cylinder	1	BREMBO
2	DK 1510 57	Hose Brake Front	1	
3	DJ 1910 57	Lever Grip RH	1	BREMBO
4	DE 1910 11	Banjo Bolt	2	
5	DE 1910 10	Washer Copper	4	
6	DJ 1910 27	Clamp Holder RH	1	
7	DJ 1910 28	Bolt	1	
8	DJ 1910 29	Bolt Front Brake Lever	1	
9	DJ 1910 30	Nut Flanged	1	
10	DJ 1910 31	Screw	2	
11	DJ 1910 56	Cylinder Master	1	BREMBO
12	DJ 2011 09	Front brake switch	1	
13	DJ 1910 34	Reservoir Cover	1	
14	DJ 1910 35	Diaphragm	1	
15	36 DH19 02	Oil Window Kit	1	
16	DJ 2011 08	Cable assly for switch	1	

Front Disc Brake



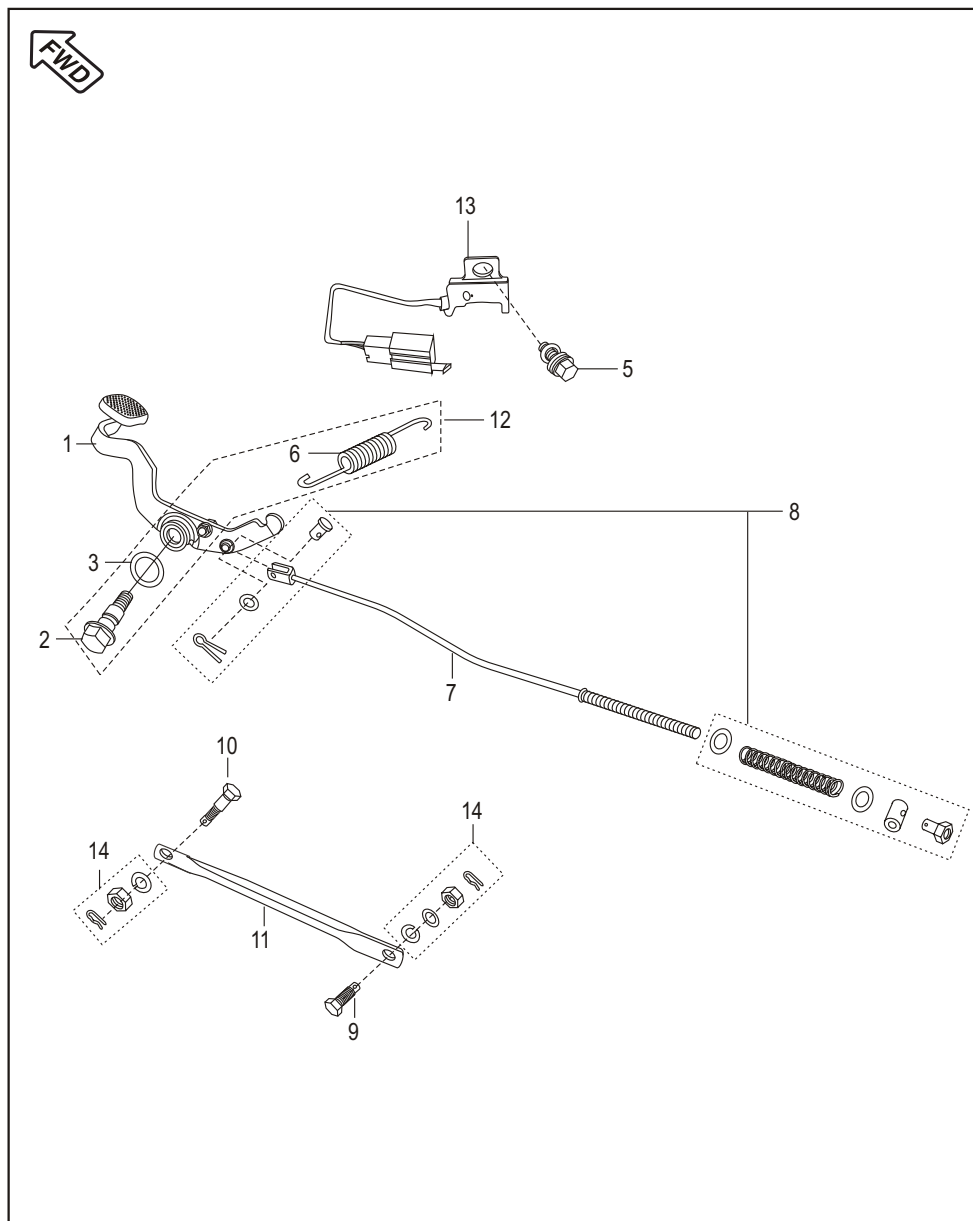
No.	Part No.	Description	Qty. /Veh.	Remarks
1	DK 1510 54	Caliper Assly. Front	1	
2	39 0400 48	Bolt Flanged	2	
3	DE 1510 48	Spring Pad	1	
4	DE 1510 46	Bleeder Screw	1	
5	DE 1510 47	Bleeder Cap	1	
6	DE 1510 37	Disc Pad Set	1	
7	DE 1510 43	Insulator	1	
8	DE 1510 45	Protection Boot	1	
9	DJ 1510 74	Minor Kit - Caliper	1	
10	DJ 1510 75	Major Kit - Caliper	1	

Rear Hub



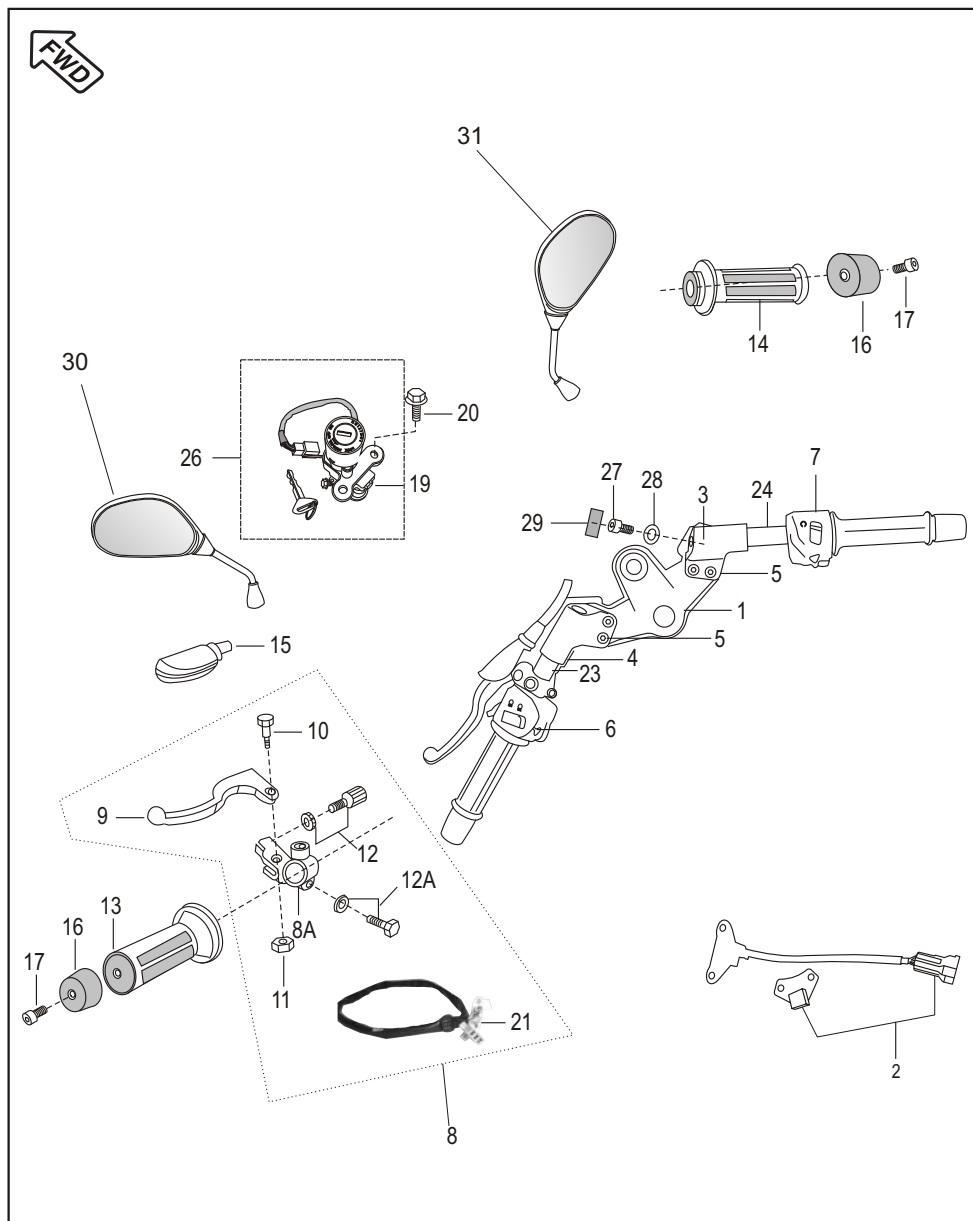
No.	Part No.	Description	Qty. /Veh.	Remarks
1	39 2686 20	Bearing ball	1	
2	DK 1510 22	Collar bearing	1	
3	JG 1312 19	Coupling Rubber	1	
4	39 2687 20	Bearing ball	1	
5	30 1510 69	Spring	2	
6	30 1511 05	Shoe brake assly.	1	
	JN 1318 12	Shoe brake assly. (Non Asbestos)	1	
7	JC 1510 05	Cam brake	1	
8	JC 1510 02	Panel rear brake	1	
9	36 JC00 07	Kit lever brake	1	Ref. Page No.102
10	DK 1510 09	Axle	1	
11	DK 1510 14	Spacer For Coupling	1	
12	39 1224 11	Plain washer	2	
13	DH 1710 19	'U' nut	1	
14	39 1997 15	Nut	1	
15	39 2566 11	Plain washer	1	
16	JC 1510 11	Spacer	1	
17	36 DK00 36	Chain Sprocket Kit	1	Ref. Page No.102
18	DS 1510 74	Lock washer	3	
19	DK 1510 12	Seal oil	1	
20	DK 1510 13	Bearing ball	1	
21	JC 1510 16	Coupling	1	
22	DS 1510 73	Stud	6	
23	DK 1510 15	Sleeve	1	
24	39 0794 15	Hex. lock nut	6	
25	DK 1510 36	Drive Chain Lock	1	
26	39 0722 11	Washer Cam brake	1	
27	JC 1510 07	Lever Brake	1	

Rear Brake Pedal



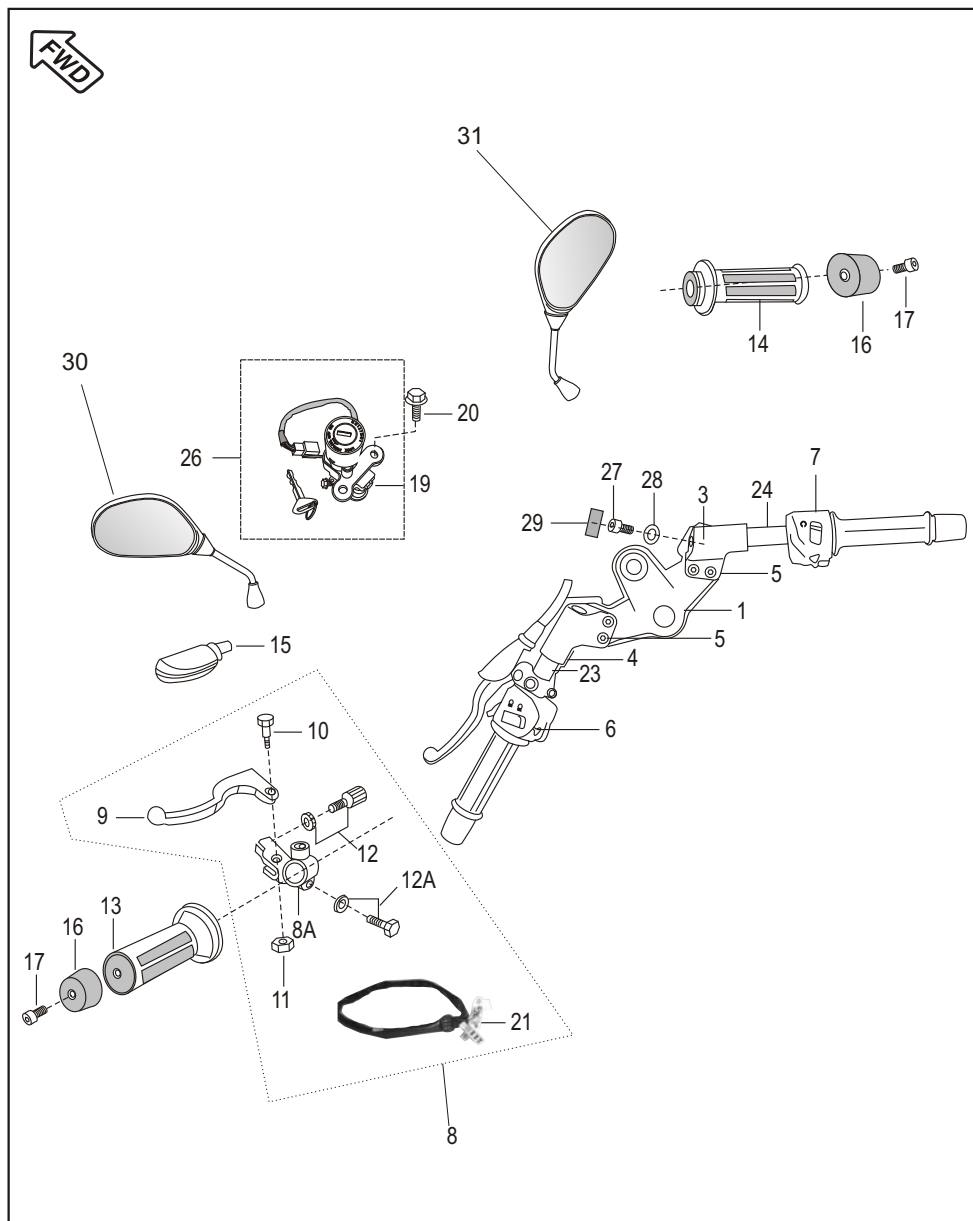
No.	Part No.	Description	Qty. /Veh.	Remarks
1	JC 1910 01	Lever Brake Pedal	1	
2	JC 1910 09	Bolt Brake Pedal	1	
3	DK 1011 85	Washer pivot bolt	1	
4	DK 1011 87	Collar pivot bolt	1	N.I.
5	39 2383 15	Flange nut	1	
6	DK 1910 13	Spring brake pedal	1	
7	JC 1910 02	Rod brake	1	
8	36 JC00 06	Kit hardware rod brake	1	Refer Page No.102
9	30 1510 95	Hex. bolt	1	
10	DH 1510 29	Hex. bolt	1	
11	JC 1510 08	Rod Torque	1	
12	36 DK00 34	Brake Pedal Kit	1	Refer Page No.102
13	JC 2010 04	Rear brake switch	1	
14	36 DH 4015	Kit Hardware torque rod	1	

Handle Bar



No.	Part No.	Description	Qty./Veh.	Remarks
1	DK 1810 27	Upper Bracket (Silver Color)	1	
	DK 1810 63	Upper Bracket (Black Color)	1	
2	36 DJ40 30	Kit Hall Sensor (Blinker Self Cancellation)	1	
3	DK 1810 38	Holder Handle Assly RH	1	
	DK 1810 85	Holder handle RH (Silver Color)	1	from Jun.11
	DK 1810 62	Holder handle RH (Black Color)	1	
4	DK 1810 39	Holder Handle Assly LH	1	
	DK 1810 81	Holder handle LH (Silver Color)	1	from Jun.11
	DK 1810 60	Holder handle LH (Black Color)	1	
5	DG 1810 08	Socket bolt	4	
6	JC 2010 17	Control switch LH	1	
7	JC 2010 18	Control switch RH	1	
8	DJ 1910 82	Lever & Support Holder Assly	1	
8A	DJ 1910 54	Holder LH	1	
	DJ 1910 81	Holder LH (Transil Diode Type Clutch Switch)	1	
9	DJ 1910 55	Lever LH	1	
	DJ 1910 83	Lever LH (Transil Diode Type Clutch Switch)	1	from Chs. UCJ73042
10	DL 1910 14	Stud lever handle	1	
11	39 1184 15	Nut Nyloc M5 x 0.8	1	
12	36 DU19 01	Kit adjusting Screw	1	
12A	39 1553 04	Bolt Flange M6	1	
13	DH 1910 07	Grip LH	1	
14	DH 1910 08	Grip RH	1	
15	DS 1910 52	Boot for lever LH	1	
16	DJ 1810 11	Handle bar weight	2	
17	39 2427 04	Hex. soc. hd. cap screw	2	
18	DS 1910 52	Lever Boot for Clutch Switch	1	N.I.
19	JC 2010 45	Switch assly. ignition	1	

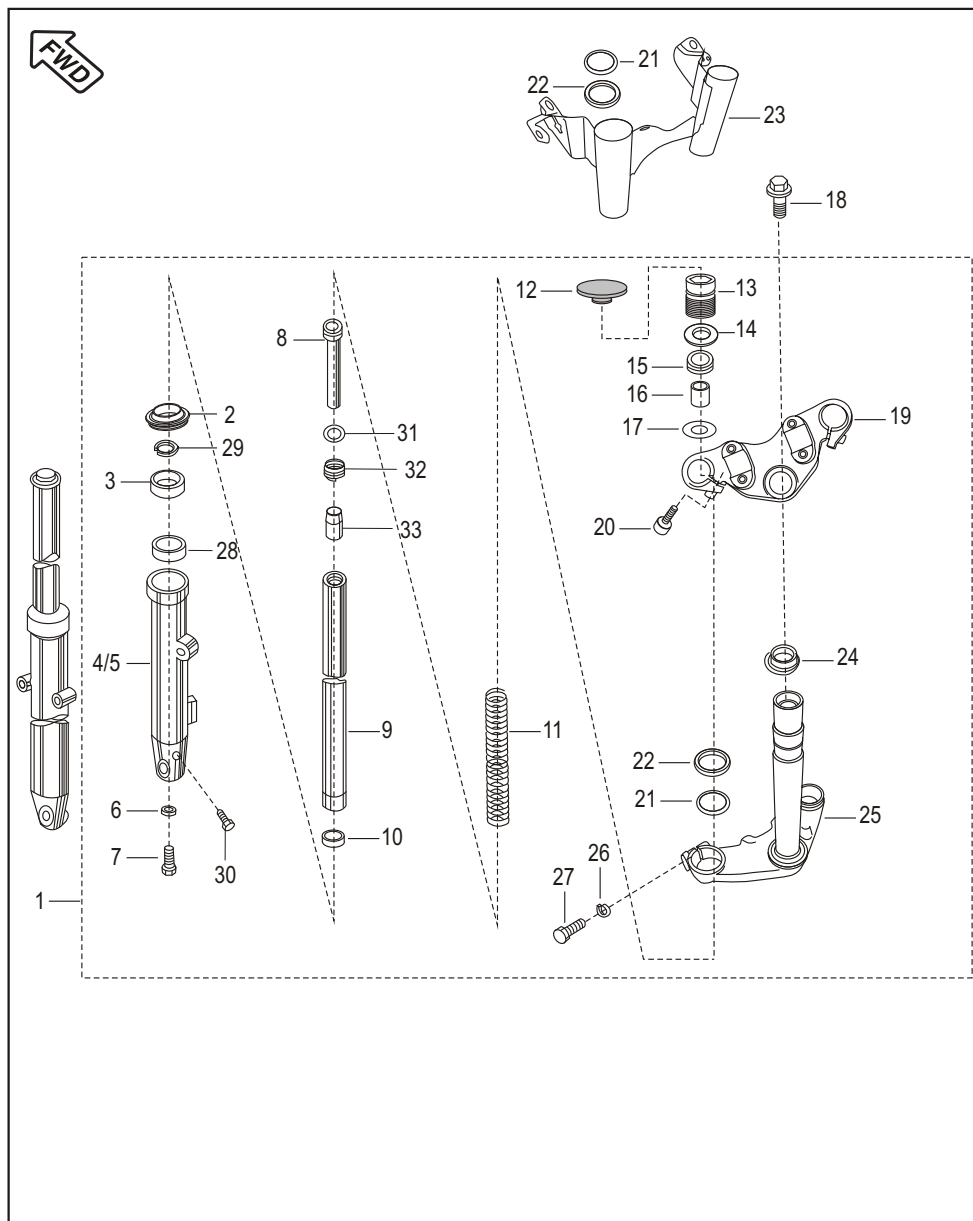
Handle Bar



No.	Part No.	Description	Qty./Veh.	Remarks
20	39 1680 04	Flange bolt	2	
21	DJ 2011 95	Clutch Switch	1	
	DJ 2012 46	Clutch Switch (Transil Diode)	1	from Chs. UCJ73042
22	DK 1810 36	Handle bar plug	2	N.I.
23	DK 1810 82	Handle bar tube assly. LH	1	
24	DK 1810 86	Handle bar tube assly. RH	1	
25	DH 1910 17	Pipe throttle	1	N.I.
26	JC 1810 29	Lock set 4 in 1	1	
27	DK 1810 58	Bolt Handle Bar M8 X 40	2	
	LA C000 20	Bolt Handle Bar Socket Head *	2	from Jun11
		(Shank Height increased)		
28	39 1180 11	Washer	2	
29	DK 1810 36	Handle Bar Plug	2	
30	DJ 2210 03	Mirror Assly. LH	1	
31	DJ 2210 04	Mirror Assly. RH	1	

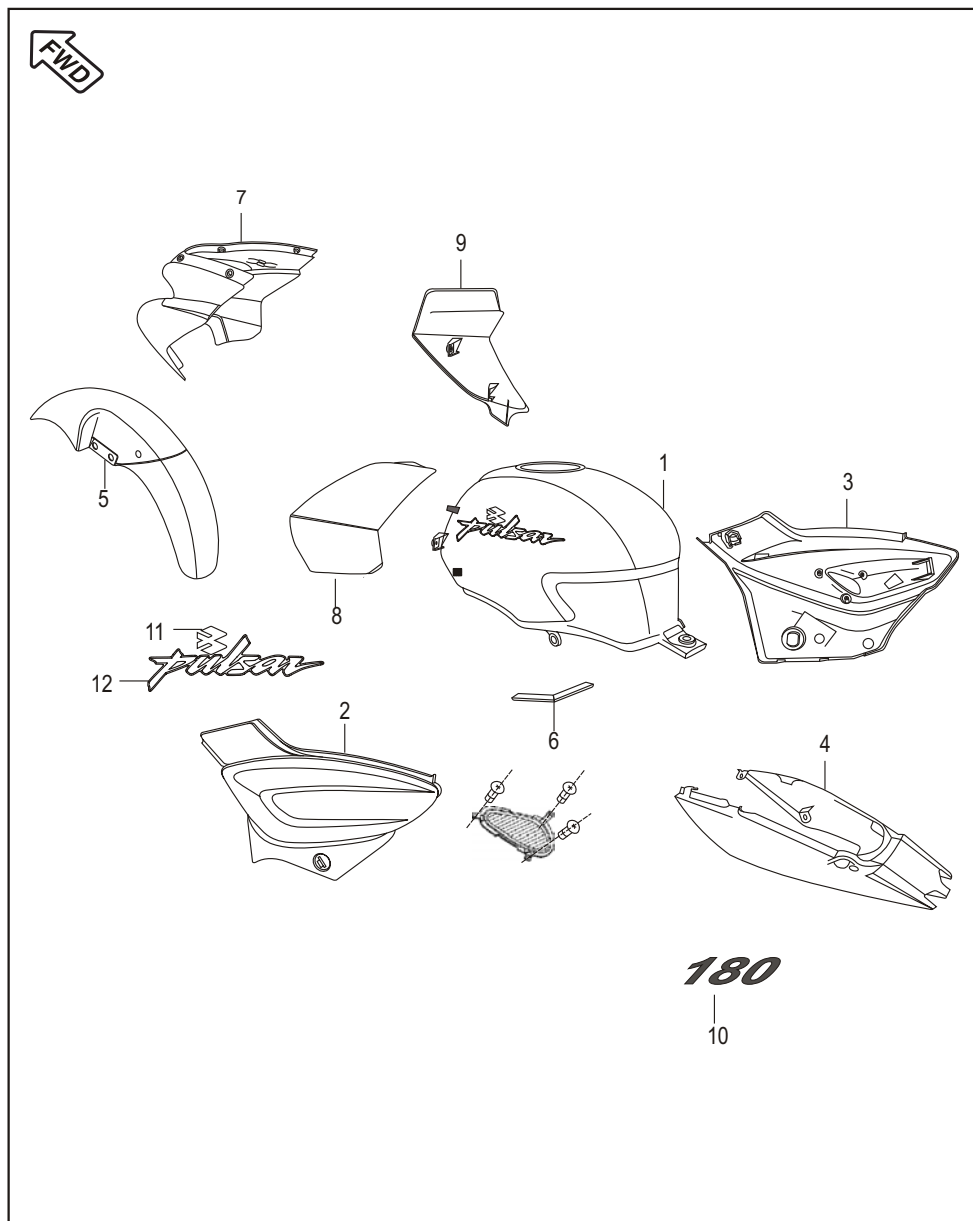
Note - * The bolt (Sr. No. 27) Shank Length increased w.e.f. 15.05.2011
The new bolt, Holder Handle, Handle Bar Assly are not individually interchangeable with old one.

Front Fork



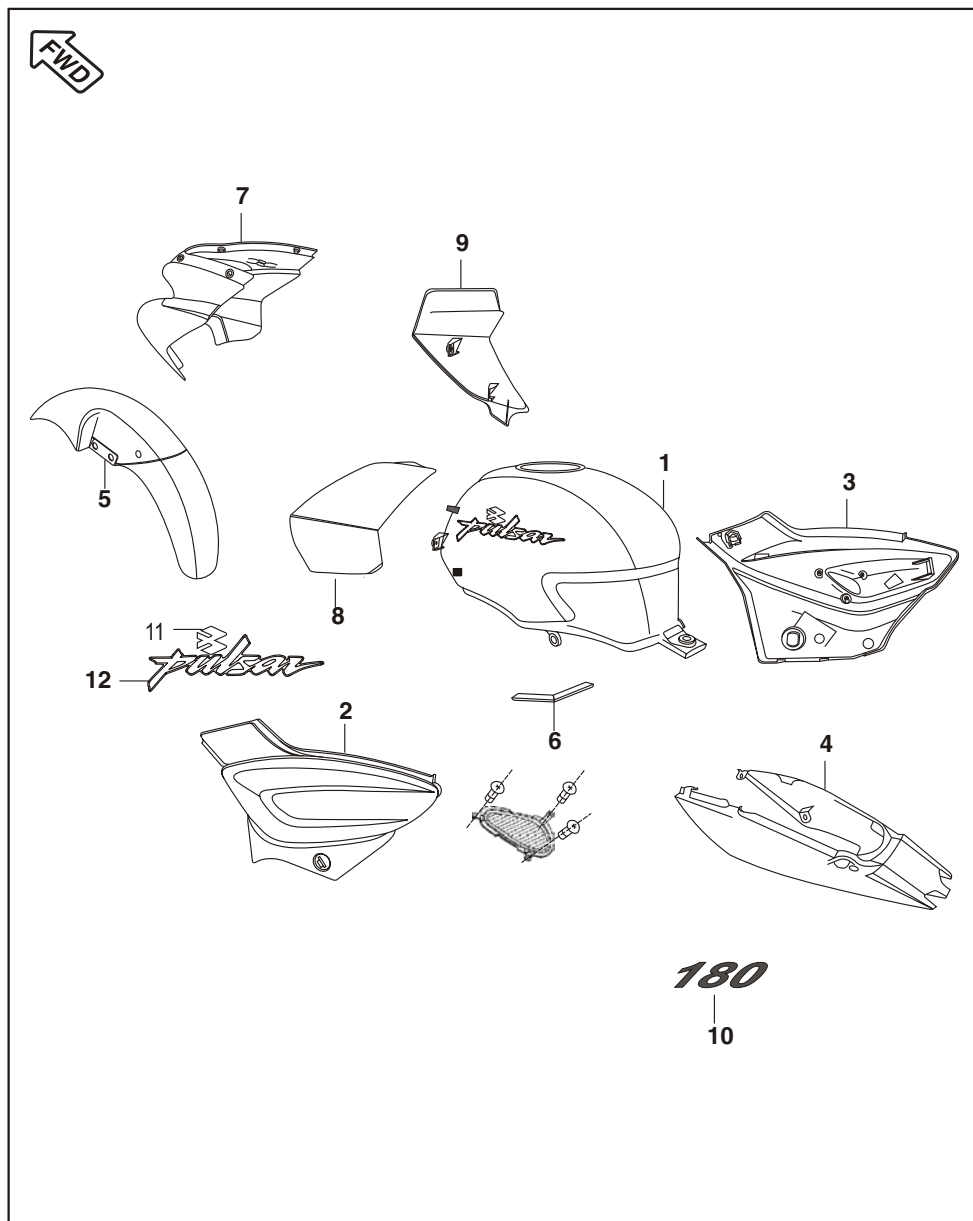
No.	Part No.	Description	Qty. /Veh.	Remarks
1	DK 1810 72	Fork front	1	
2	DK 1810 21	Inner Dust Seal	1	
3	DK 1810 19	Oil seal	2	
4	DK 1810 56	Outer Tube LH	1	
5	DK 1810 57	Outer Tube RH	1	
6	DK 1810 07	Copper Washer	2	
7	DK 1810 06	Socket Headed Bolt M10 X 1.5 X 35	2	
8	DK 1810 10	Seat Pipe	2	
9	DK 1810 70	Pipe comp. suspension inner	2	
10	DK 1810 11	Slide Bush	2	
11	DK 1810 73	Spring front fork	2	
12	DH 1810 09	Grommet Top	2	
13	DK 1810 22	Bolt fork	2	
14	DK 1810 23	'O' ring	2	
15	31 1811 01	Seat fork spring	2	
16	DK 1810 71	Spacer Tube	2	
17	DK 1810 18	Washer	2	
18	59 0400 05	Bolt	1	
19	DK 1810 27	Holder fork upper	1	
20	DG 1810 08	Socket Bolt	2	
21	JC 1810 23	Cushion Rubber	2	
22	JC 1810 22	Cover Trail B	4	
23	JC 1810 24	Lamp Shade asly.	1	
24	DG 1810 45	Bearing cone	1	
25	DK 1810 24	Holder fork under	1	
26	DK 1810 25	Spring washer	2	
27	DK 1810 26	Bolt	2	
28	DK 1810 17	Guide Bush	1	
29	DK 1810 20	Oil Seal Stopper	2	
30	DK 1810 08	Bolt	2	
31	DK 1810 12	Piston Ring	2	
32	DK 1810 13	Rebound Spring	2	
33	DK 1810 09	Cap Oil Lock	2	

Painted Parts & Decals



No.	Part No.	Description	Qty. /Veh.	Remarks
1	DJ 7201 4M	Fuel Tank with Decal	1	Midnight Black
	DJ 7201 2V	Fuel Tank with Decal	1	Cocktail Wine Red
	DJ 7201 4K	Fuel Tank with Decal	1	Plasma Blue
	DJ 7201 4L	Fuel Tank with Decal	1	Misty Gray Silver
	DJ 7201 5C	Fuel Tank with Decal	1	Orange Mica
	DJ 7107 5G	Fuel Tank With Dual Decal	1	PI Blue
	DJ 7107 5F	Fuel Tank With Dual Decal	1	Cw Red
2	52 DH05 34	Side cover LH	1	Midnight Black
	52 DH05 30	Side cover LH	1	Cocktail Wine Red
	52 DH05 28	Side cover LH	1	Plasma Blue
	52 DH05 32	Side cover LH	1	Misty Gray Silver
	52 DH06 75	Side cover LH with Dual Decal	1	Blue Decal
	52 DH06 73	Side cover LH with Dual Decal	1	Red Decal
3	52 DH05 35	Side cover RH	1	Midnight Black
	52 DH05 31	Side cover RH	1	Cocktail Wine Red
	52 DH05 29	Side cover RH	1	Plasma Blue
	52 DH05 33	Side cover RH	1	Misty Gray Silver
	52 DH06 76	Side cover RH with Dual Decal	1	Blue Decal
	52 DH06 74	Side cover RH with Dual Decal	1	Red Decal
4	DH 7303 4M	Seat Cowl Assly.	1	Midnight Black
	DH 7303 2V	Seat Cowl Assly.	1	Cocktail Wine Red
	DH 7303 4K	Seat Cowl Assly.	1	Plasma Blue
	DH 7303 4L	Seat Cowl Assly.	1	Misty Gray Silver
	DH 7303 5L	Seat Cowl Assly.	1	Orange Mica
5	DK 7402 2T	Front Fender	1	Misty Gray Silver
	DK 7304 2V	Front Fender	1	Cocktail Wine Red
	DK 7402 3A	Front Fender	1	Plasma Blue
	DK 7402 X3	Front Fender	1	Ebony Black
6	DH 1410 20	Seat tape	1	

Painted Parts & Decals



No.	Part No.	Description	Qty./Veh.	Remarks
7	DH 7401 4M	Fairing	1	Midnight Black
	DJ 7401 2V	Fairing	1	Cocktail Wine Red
	DH 7401 4K	Fairing	1	Plasma Blue
	DH 7401 4L	Fairing	1	Misty Gray Silver
	DH 7401 5C	Fairing	1	Orange Mica
	52 DH06 83	Fairing with Dual Decal	1	PI Blue
	52 DH06 82	Fairing with Dual Decal	1	Cw Red
8	52 DJ03 63	Tank Flap LH	1	Midnight Black
	52 DJ03 57	Tank Flap LH	1	Cocktail Wine Red
	52 DJ03 59	Tank Flap LH	1	Plasma Blue
	52 DJ03 61	Tank Flap LH	1	Misty Gray Silver
	52 DJ04 08	Tank Flap LH	1	Orange Mica
9	52 DJ03 64	Tank Flap RH	1	Midnight Black
	52 DJ03 58	Tank Flap RH	1	Cocktail Wine Red
	52 DJ03 60	Tank Flap RH	1	Plasma Blue
	52 DJ03 62	Tank Flap RH	1	Misty Gray Silver
	52 DJ04 09	Tank Flap RH	1	Orange Mica
10	DJ 1613 07	Seat Cowl Decal	2	Black (Ref.Cir.C-20)
	DJ 1613 04	Seat Cowl Decal	2	Red (Ref.Cir.C-20)
	DJ 1613 05	Seat Cowl Decal	2	Blue (Ref.Cir.C-20)
	DJ 1613 06	Seat Cowl Decal	2	Silver (Ref.Cir.C-20)
	DJ 1613 13	Seat Cowl Decal	2	Ref. Cir. C-27
11	JC 1410 51	'B' Monogram Tank Black Chrome	2	For Silver Colour
	JC 1410 50	'B' Monogram Tank Gray Chrome Decal	2	For Black,Blue, Red Colour
12	36 JC00 08	Decal Kit LH (Black Chrome)	1	For Silver Colour
	36 JC00 09	Decal Kit RH(Black Chrome)	1	For Silver Colour
	36 JC00 10	Decal Kit LH(Grey Chrome)	1	For Black,Blue, Red Colour
	36 JC00 11	Decal Kit RH(Grey Chrome)	1	For Black,Blue, Red Colour
13	DJ 1410 61	Rubber Beading (On Flap)	2	N.I.

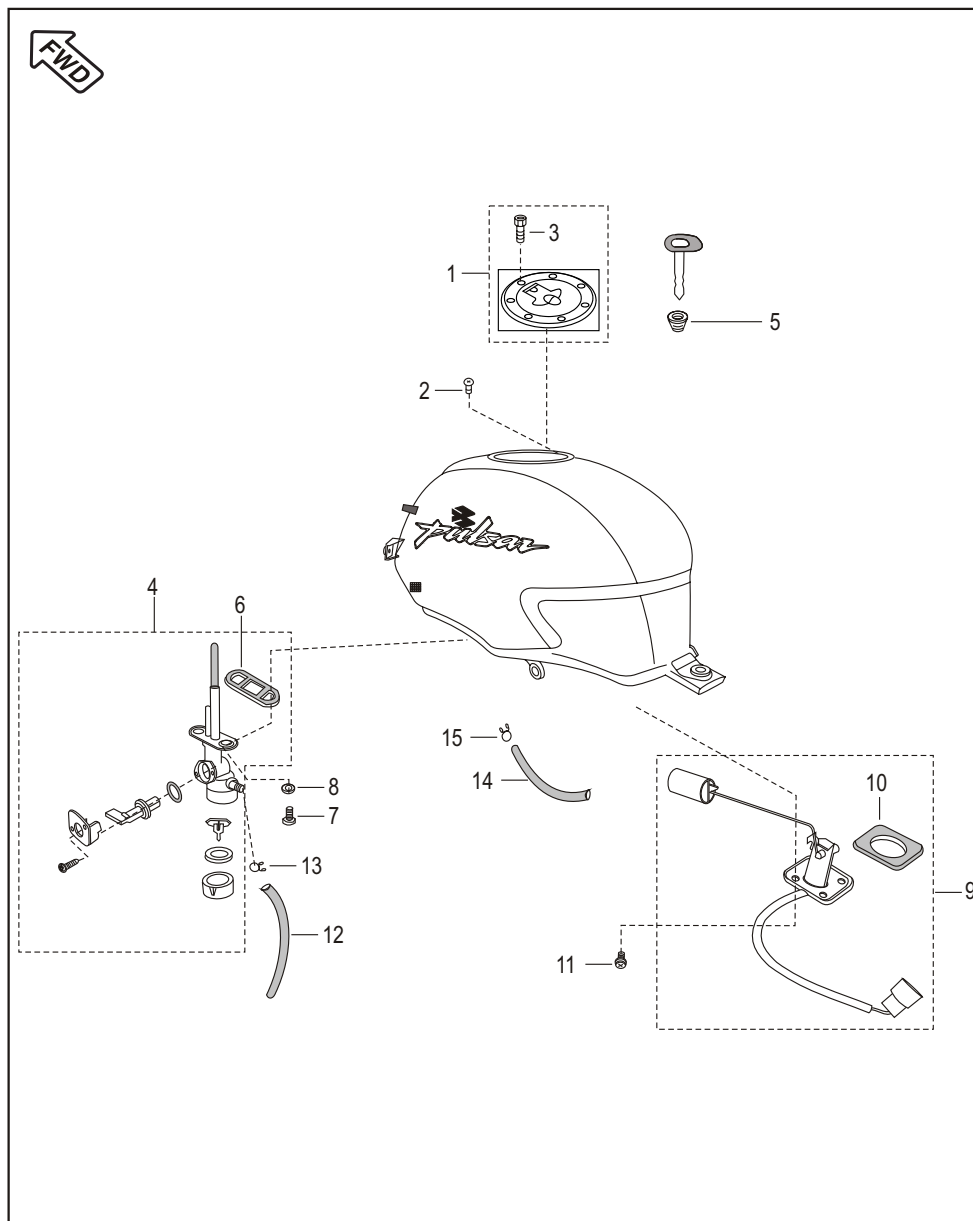
Dual Color Decals



No.	Part No.	Description	Qty. /Veh.	Remarks
1	36 DH40 35	Kit Fairing Decal Blue	1	
	36 DH40 38	Kit Fairing Decal Red	1	
2	36 DH40 34	Kit Tank Decal Blue	1	
	36 DH40 37	Kit Tank Decal Red	1	
3	36 DK00 84	Kit Side Cover Decal Blue	1	
	36 DK00 88	Kit Side Cover Decal Blue	1	
4	36 DJ40 23	Kit Seat Cowl Decal Blue	1	
	36 DJ40 24	Kit Seat Cowl Decal Red	1	

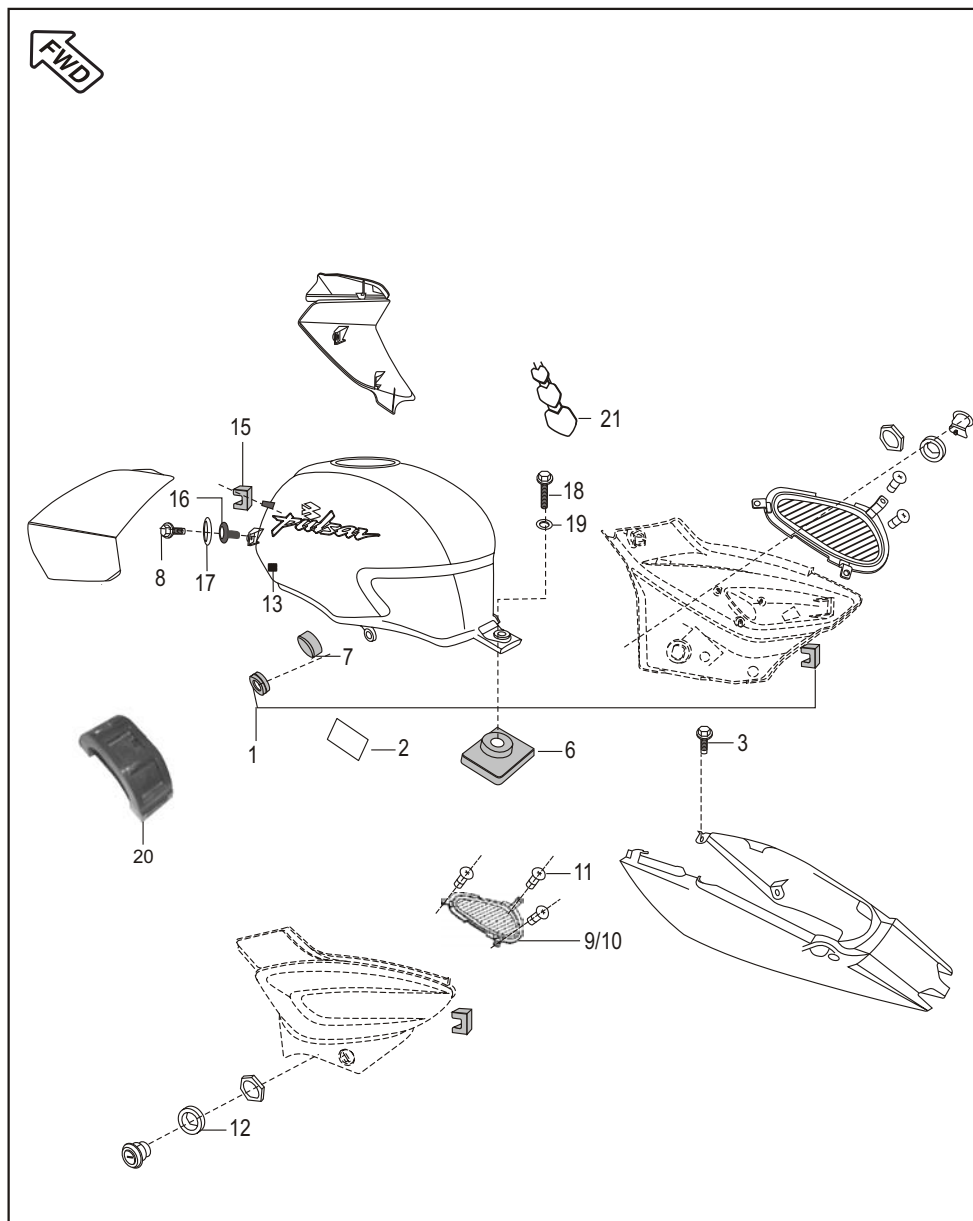
**Note - For Plasma Blue & Passion Red Dual Color Decal Vehicles -
The Seat Cowl & Side Cover - Black Color is common.
(to be used along with above Decal Set.)**

Petrol Cock, Cap Tank & Gauge Fuel



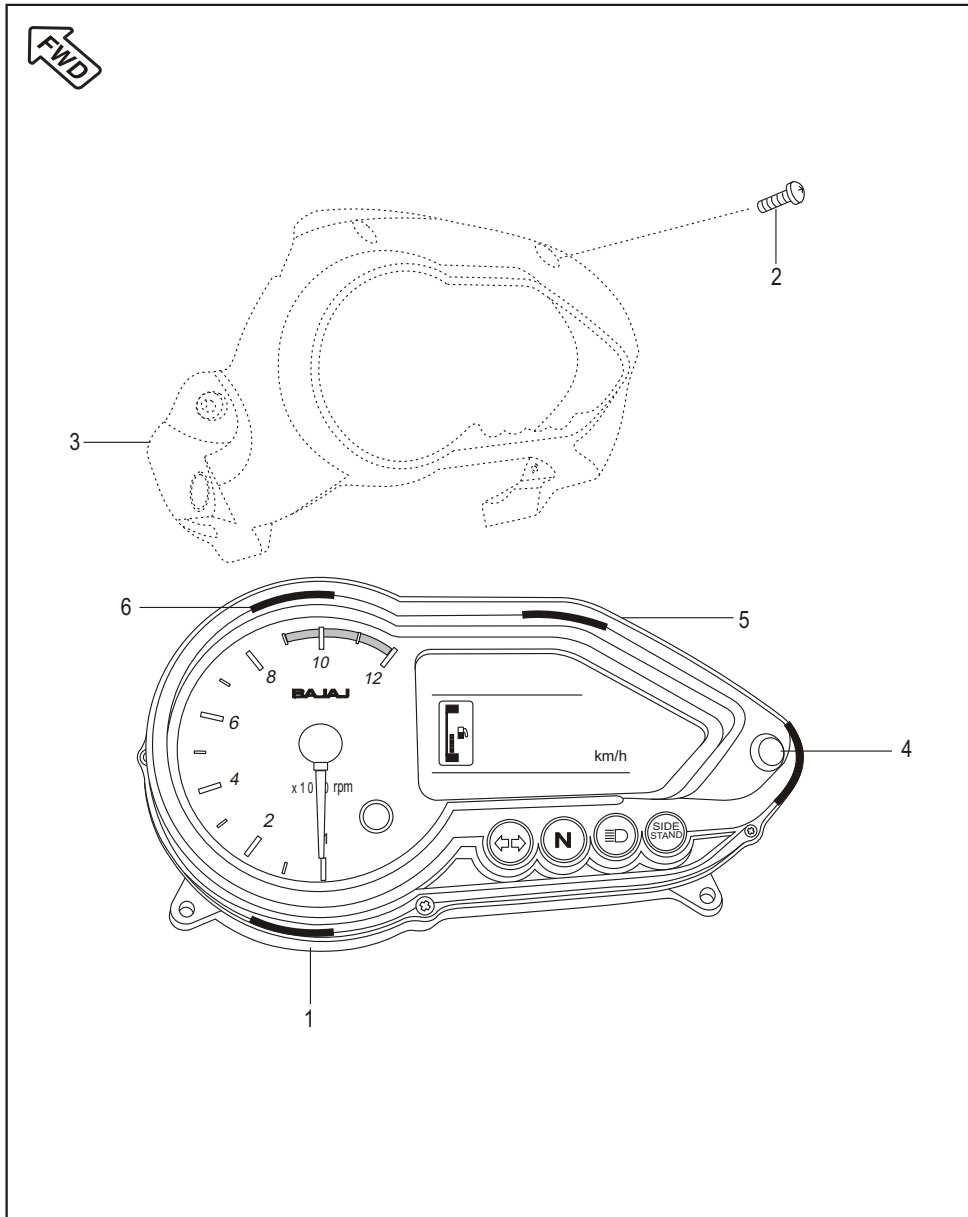
No.	Part No.	Description	Qty. /Veh.	Remarks
1	DK 1410 14	Cap Assly. Tank	1	
2	30 1780 01	Pan head screw	1	
3	39 2381 04	Hex. Soc Hd. cap bolt	7	
4	DK 1410 01	Tap Assly	1	
5	DK 1410 13	Lock Cap Tank	1	
6	30 1410 39	Packing	1	
7	DD 1412 27	Bolt flanged	2	
8	39 0740 11	Plain Washer	2	
9	DK 2010 65	Gauge Fuel	1	
10	39 2758 21	Gasket fuel Gauge	1	
11	39 2484 15	Nut Flange M-5	4	
12	52 DJ04 49	Fuel Pipe with Clip E10	1	
13	BA 1220 03	Pipe clip	1	
14	DH 1410 24	Drain tube	1	
15	DG 1410 28	Clamp	1	
16	DH 141021	Seat Tape	1	

Fitting Petrol Tank Spoiler, Side Cover, Seat Cowl



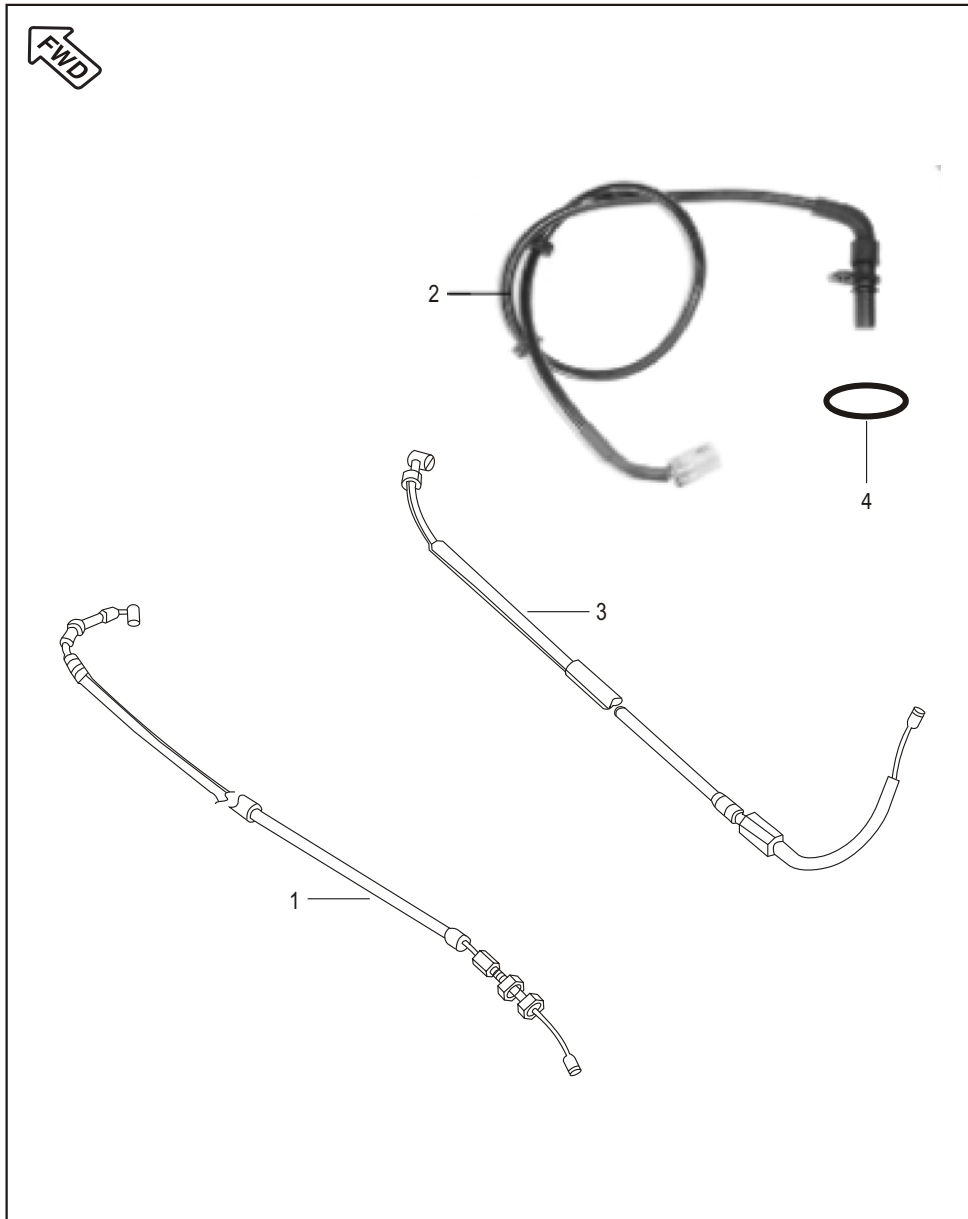
No.	Part No.	Description	Qty. /Veh.	Remarks
1	36 DH16 01	Grommet Kit For side cover	1	Ref. Page No.103
2	DH 1410 31	Tape tank inner	2	
3	DG 1611 21	Screw	2	
4	39 2424 11	Plain Washer	1	
5	JC 1810 29	Lock Set (4 in 1) with Key	1	N.I.
6	DH 1410 23	Damper	1	
7	DJ 1410 08	Damper front	2	
8	39 1902 04	Flanged Bolt	1	
9	DK 1611 23	Cover Side Mesh LH	1	
10	DK 1611 24	Cover Side Mesh RH	1	
11	59 0200 01	Self Tap Screw	6	
12	31 1610 18	Damper	2	
13	JW 1710 07	Dual Tape	2	
14	JD 1710 18	Special Tape	2	
15	JC 1410 15	Grommet	2	
16	JC 1410 17	Grommet II	2	
17	JC 1410 16	Collar	2	
18	39 1556 04	Flange Bolt	1	
19	39 2424 11	Plain Washer	1	
20	DK 1410 17	Damper tank middle	1	
21	DK 1410 15	Tank Pad	1	

Meter Assly



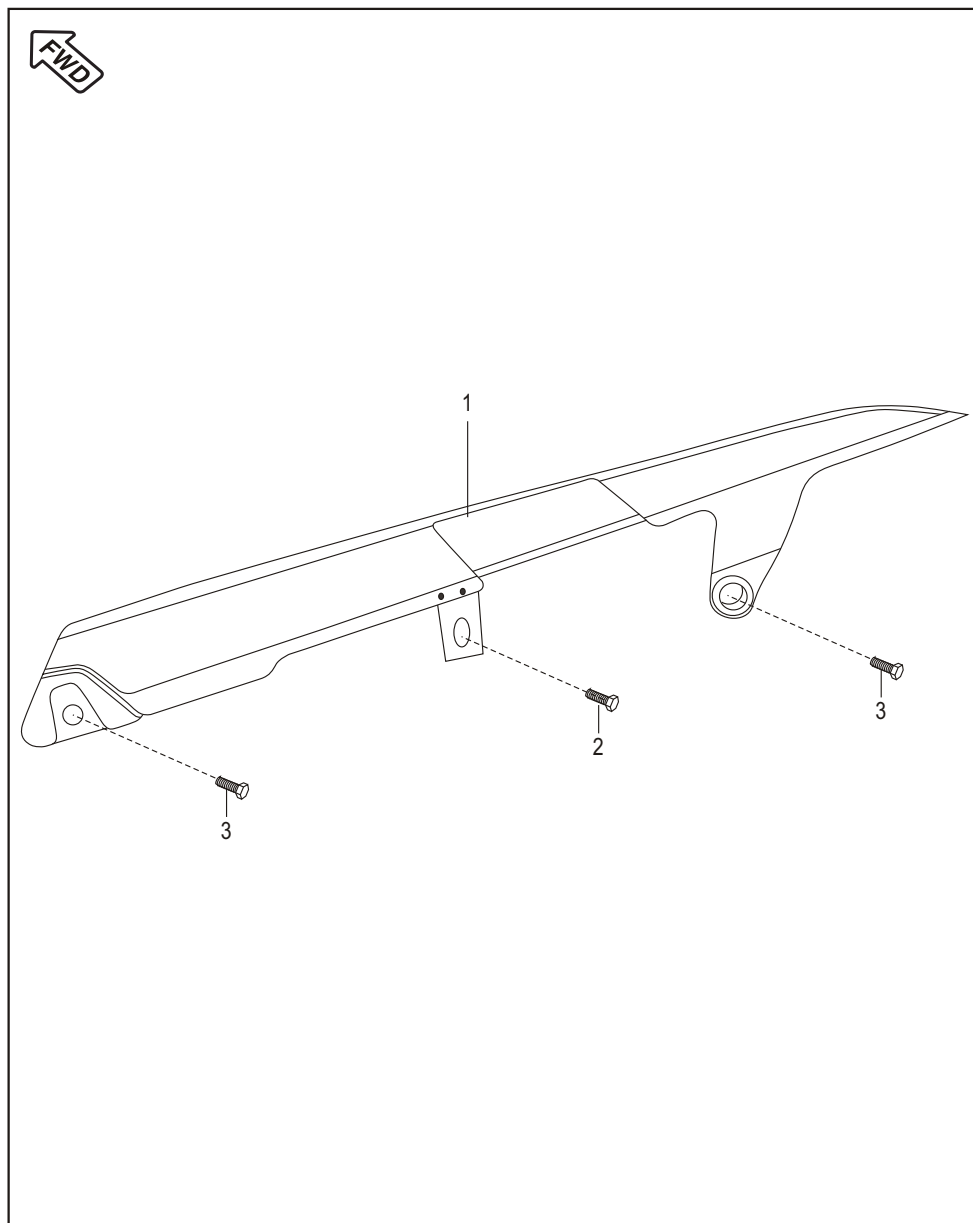
No.	Part No.	Description	Qty. /Veh.	Remarks
1	DJ 1910 71	Meter Assly / Instrument Cluster	1	
2	39 1778 02	Self Tapping Screw	4	
3	DJ 1811 19	Back Cover	1	
4	DJ 2011 74	Trip Meter Knob	1	
5	DJ 2011 59	Speedo Meter Top Cover	1	
6	DK 1612 09	Tape I	4	

Control Cables



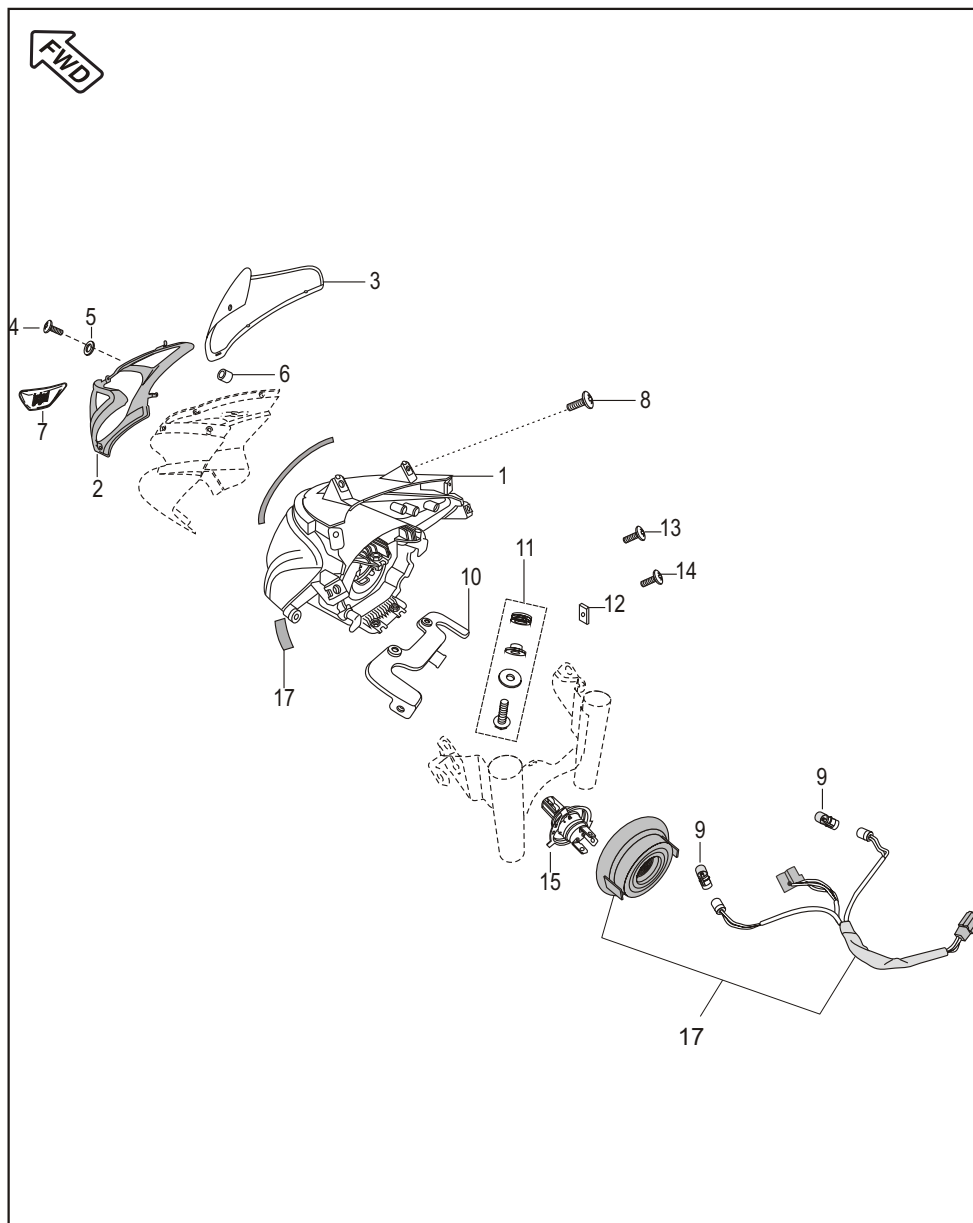
No.	Part No.	Description	Qty. /Veh.	Remarks
1	DJ 1910 61	Cable Accelerator	1	
2	JC 2010 43	Vehicle Speedos Sensor (Potted)	1	
3	JC 1910 04	Cable Clutch	1	
4	59 2100 19	'O' ring	1	
5	30 1910 48	Band	1	N.I.

Chain Cover



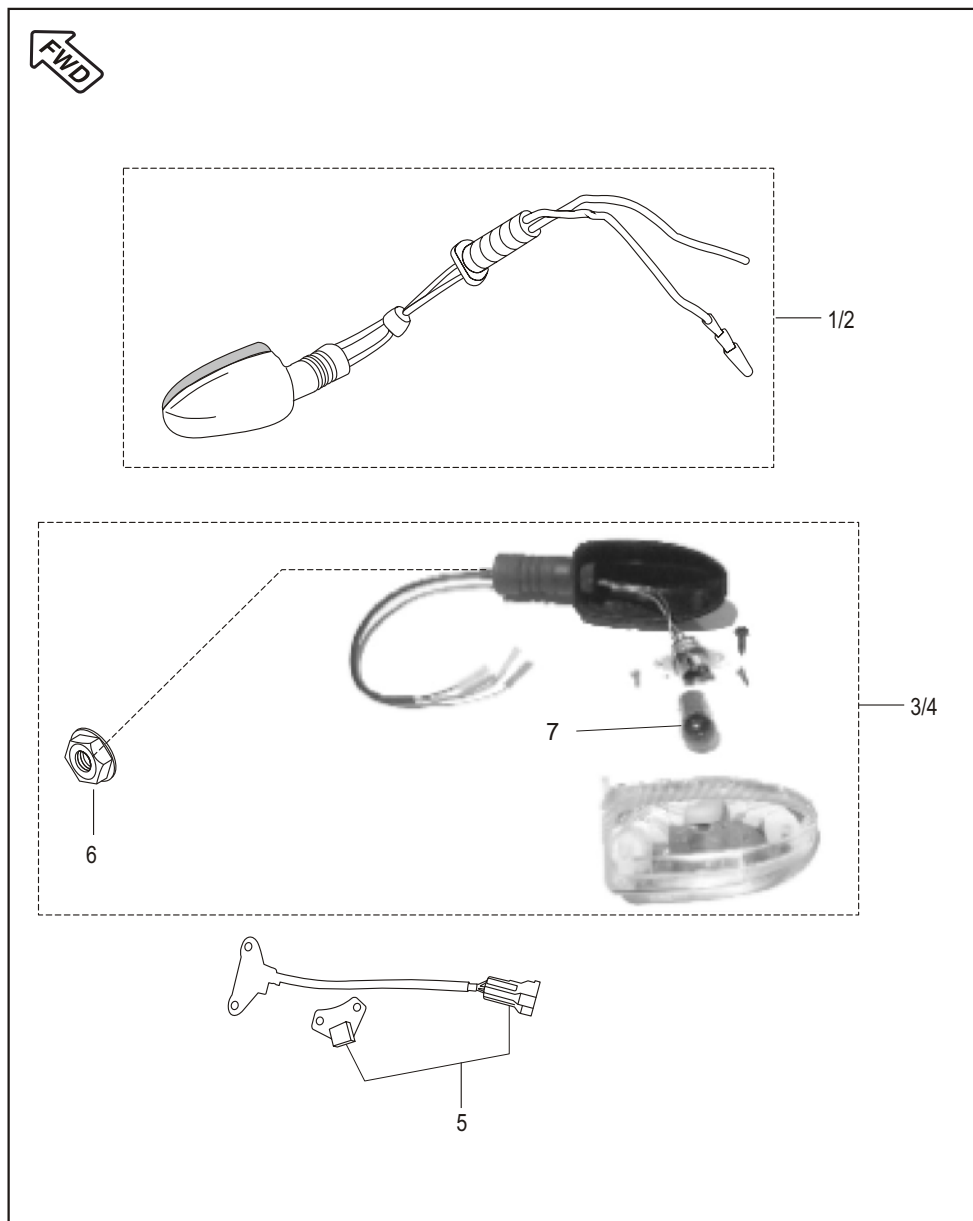
No.	Part No.	Description	Qty. /Veh.	Remarks
1	DK 1612 50	Cover Chain assly	1	
2	DH 1612 83	Bolt (Small)	1	
3	39 1680 04	Bolt (Big)	2	

Head Lamp & Fairing



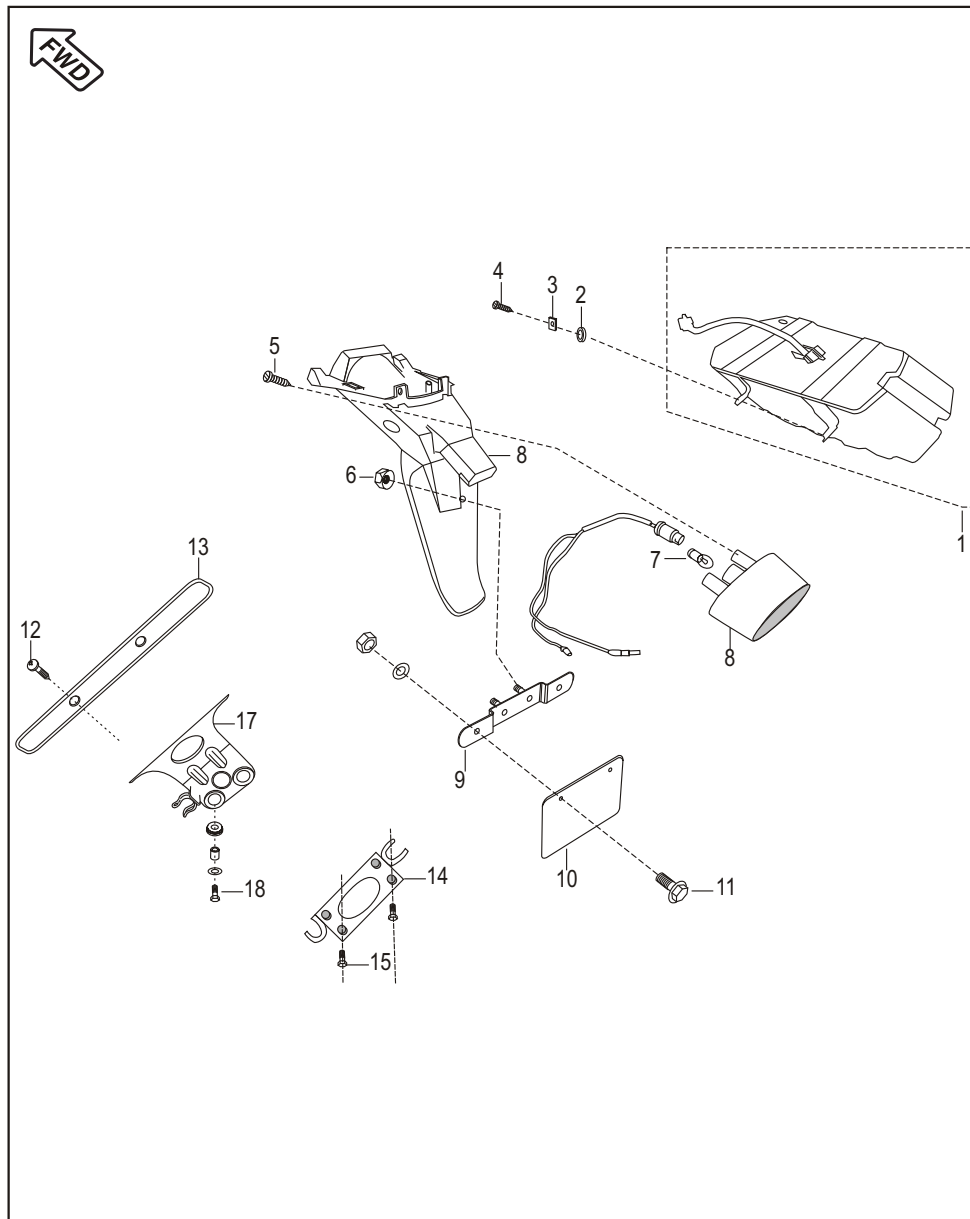
No.	Part No.	Description	Qty. /Veh.	Remarks
1	DJ 2011 76	Head Lamp Assly. without Bulb	1	
2	DJ 1811 20	Head Lamp Mask	1	
3	DJ 1810 33	Wind Shield	1	
4	DF 1810 98	Bolt	4	
5	39 2141 24	Non Metallic Washer	4	
6	DL 1810 10	Well Nut	4	
7	DJ 1810 37	Decal Wind Shield	1	
8	39 1907 01	M5 x 15L mushroom HD	2	
9	DJ 2010 72	Pilot Bulb	2	
10	DH 1810 52	Fairing mounting upper bracket	1	
11	36 DH40 20	Kit hardware mtg. bracket	1	Ref. Page No.103
12	DJ 1612 29	Clip Nut	4	
13	39 0716 01	Screw pan cross	2	
14	39 1524 01	Screw pan cross	2	
15	CL 2010 23	Lamp 12V 35/35W-HS1	1	
16	DJ 1810 69	Packing Fairing	1	
17	DH 2010 40	Head Lamp Wiring Harness	1	

Indicator Light Assly



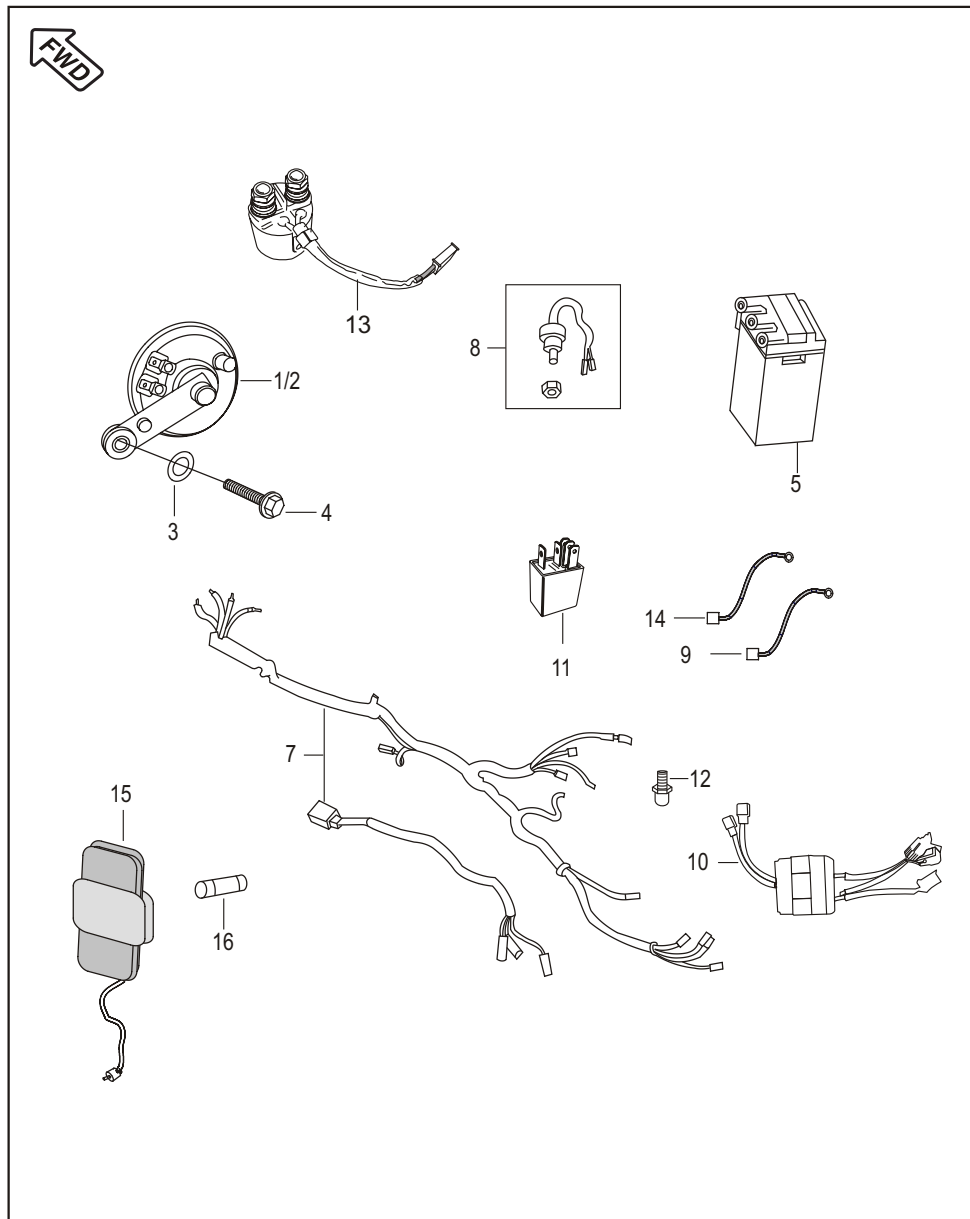
No.	Part No.	Description	Qty. /Veh.	Remarks
1	DJ 2012 07	Blinker Front LH flexible	1	
2	DJ 2012 06	Blinker Front RH flexible	1	
3	DJ 2012 06	Blinker Rear LH flexible	1	
4	DJ 2012 07	Blinker Rear RH flexible	1	
5	36 DJ40 30	Kit Hall Sensor (Blinker Self Cancellation)	1	
6	39 1225 15	Hex. Nut With Flange	4	
7	GH 2010 12	Lamp 12V 10W	4	
8	39 2208 04	Bolt	2	For Hall Sensor Mounting (N.I.)

Tail Lamp Assly / Front & Rear No. Plate



No.	Part No.	Description	Qty. /Veh.	Remarks
1	DK 2010 03	Tail light Assly	1	
2	DH 1612 93	Damper	2	
3	DK 1611 53	Clip Nut	4	
4	59 0100 13	Screw pan cross	4	
5	39 1907 01	Truss Screw	2	
6	39 1972 15	Nut flange	2	
7	30 2010 29	Lamp 12V-4W	1	
8	JW 4010 11	No. Plate illumination	1	
9	DJ 1610 72	Rear No. plate bkt.	1	
10	DP 1611 45	Number plate Rear	1	
11	39 1680 04	Hex Flanged Bolt	2	
12	39 1783 01	Truss Screw	2	For Front No. Plate
13	DP 1611 44	Number plate front	1	
14	JC 1810 26	No. plate mounting bracket	1	
15	39 1062 04	Bolt flange	2	
16	DH 1612 93	Damper front no. Plate	1	
17	JC 1810 25	Front no. plate bracket	1	
18	39 1943 04	Bold Flange M6	2	
19	DJ 1810 83	Sleeve	2	No. Plate Bracket

Electric Component



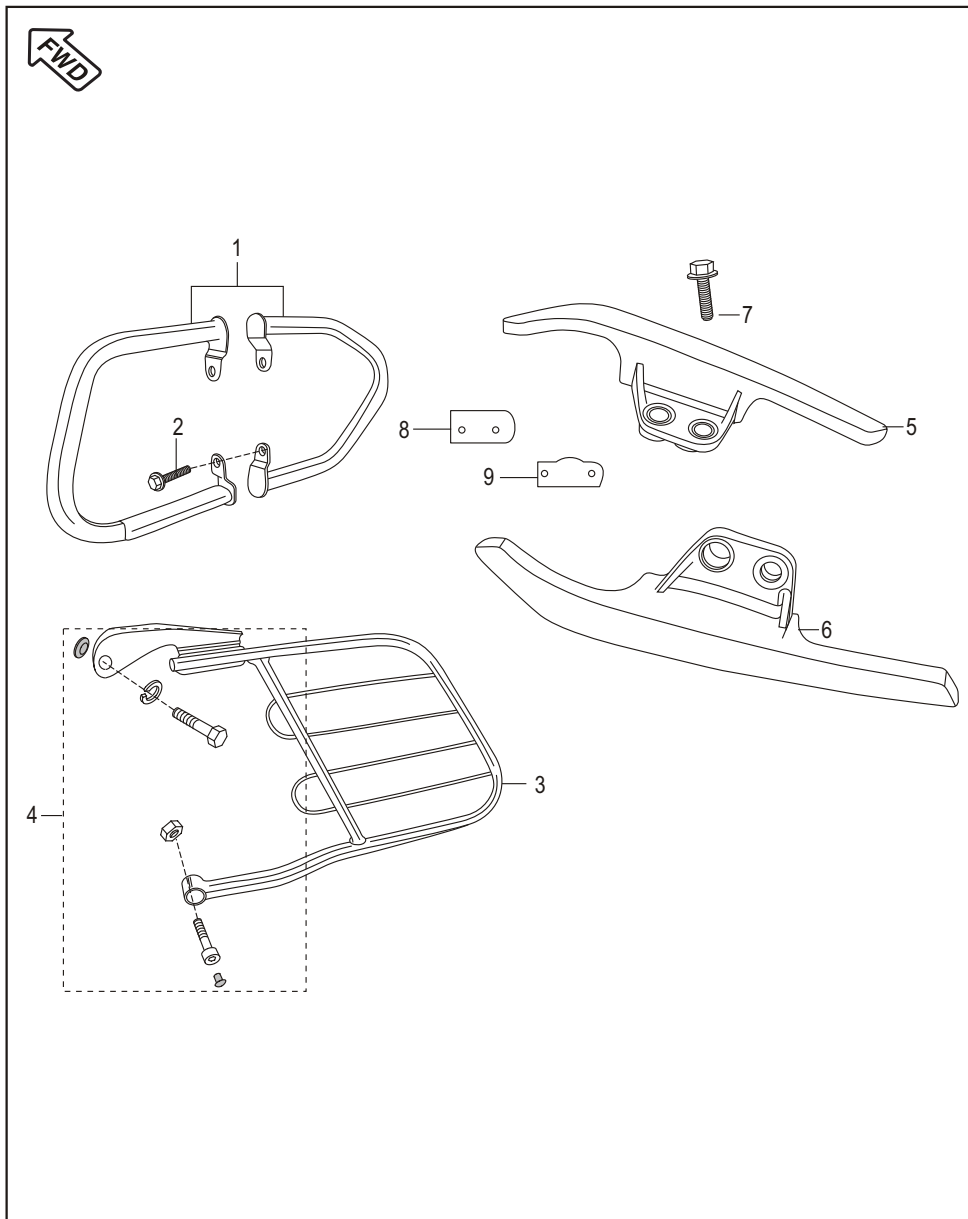
No.	Part No.	Description	Qty. /Veh.	Remarks
1	DK 2010 37	Horn LH Dia 70	1	
2	DK 2010 38	Horn RH Dia 70	1	
3	39 1507 11	Plain Washer	1	
4	39 1956 04	Flange Bolt	1	
5	DJ 2011 26	Battery (12V-9A) mf Dry Charged	1	
6	DJ 1612 47	Band Battery	1	N.I.
7	DJ 2012 05	Wiring Harness	1	
8	JC 2010 04	Rear Brake Switch	1	
9	DJ 2010 20	Cable assly. (Battery to St.Relay)	1	
10	JC 2010 16	BCU	1	
11	AL 2010 12	Kill switch relay	1	
	DJ 2010 28	Relay (Interlocking)	1	Ref. Cir. C-19
12	39 1680 04	Flange bolt	1	
13	DK 2010 78	Starter Relay / Damper	1	
14	DJ 2011 40	Cable assly. (Battery to Earth)	1	
15	30 2011 04	Fuse box Assly.	1	
16	30 2010 85	Fuse	1	
17	JC 2010 27	Cable Assly. St. Motor to St. Relay	1	N.I.



Tool Kit

No.	Part No.	Description	Qty. /Veh.	Remarks
1	DK 2210 11	Tool Kit	1	
2	DK 2210 24	Band Tool Kit	2	

Accessories / Grab Handle



No.	Part No.	Description	Qty. /Veh.	Remarks
1	36 DK00 33	Kit Leg Guard	1	
2	39 2310 04	Flange bolt	4	
3	DK 1611 76	Sari Guard Assly.	1	
4	36 DK00 23	Kit hardware sari guard	1	
5	DK 1611 47	Grab handle LH	1	
6	DK 1611 48	Grab handle RH	1	
7	39 2310 04	Bolt Flange	4	
8	DJ 1610 79	Foam LH For grab	1	
9	DJ 1610 80	Foam RH For grab	1	

KIT LIST

Sr. No.	Kit Part No.	Kit Description	Consisting of Following Parts		
			Part No.	Description	Qty./Kit
1	36DS1001	Cyl.Head O Ring Kit	39239121	O Ring (Cover tappet)	2
			39128321	O ring	2
2	36DJ1004	Valve Kit	DJ101124	Valve Intake	1
			DJ101125	Valve Exhaust	1
3	DK101326	Valve Repair Kit	DK101247	Retainer valve spring	2
			DK101108	Spring valve inner	2
			DK101110	Spring valve outer	2
			DK101246	Seat valve spring	2
4	36DK0039	Guide Chain Kit	DH101017	Guide chain (Tight)	1
			DK101059	Guide Chain (slack)	1
5	36DK0038	Set primary drive & driven	DH101628	Gear primary drive	1
			DK101561	Clutch Housing	1
6	36DH4019	Kit centrifugal oil filter	39220011	Washer	1
			DH101234	Gasket centrifugal oil filter	1
			DH101640	Oval screw	1
			Dh101066	Join oil dealivery	1
			DH101067	Spring oil delivery	1
			39219908	Pin oil delivery joint	1
7	36DH1004	Set Damper	DH101284	Damper A	1
			DH101285	Damper B	1
			DH101286	Damper C	1
			DH101287	Damper D	1
8	36DH1005	Set of Plate	DH101288	Plate A	1
			DH101289	Plate B	1
			DH101290	Plate C	1
			DH101291	Plate D	1
9	36DH1006	Set Damper	DH101282	Damper Cover Magneto	1
			DH101292	Damper A Cover LH RR	1
			DH101294	Damper B Cover LH RR	1
10	36DH1007	Set of Plate	DH101283	Plate Damper	1
			DH101293	Plate Damper Cover LH RR	1
11	36DH4010	Kit hardware air cleaner	DH121020	Bracket lock	1
			01110609	Plain washer	1
			39178001	Screw pan cross	1
			39177304	Bolt flange	4
			31121043	Coller	3
			39071111	Plain washer	3

KIT LIST

Sr. No.	Kit Part No.	Kit Description	Consisting of Following Parts		
			Part No.	Description	Qty./Kit
12	36DK0015	Kit element air filter	DK121002	Element air filter fine	1
			DK121003	Element air filter coarse	1
13	36DH4011	Kit hardware shield	DH101301	Seal shield muflar	2
			DH101395	Trust screw	2
			DH101481	Grommet shield	1
14	36DK0009	Kit hardware silencer	39185004	Flange bolt	1
			39242511	Plain washer	1
			DD161071	U nut	1
			DH161155	Damper silencer	1
			DH161157	Tube silencer mounting	1
15	36DK0011	Kit hardware engine mounting	39231204	Bolt flange	4
			39197015	Nut flange	8
			39241304	Bolt flange	1
			DH161245	U Nut	3
16	36DV0007	Bearing cone kit	DG181045	Bearing cone	1
			DG181047	Bearing race	1
			DG181046	Upper bearing race	1
17	36DK0012	Kit bush rear shock absorber	39071411	Plain washer	8
			39071215	Dome cap nut	2
			39073712	Spring washer	2
18	36DK0013	Kit hardware pillion	DJ161186	Plait side pillion stape	2
			DH161061	Pin pillion set	2
			30141031	"O" ring	2
			39104011	Plain washer	2
			39078408	Split pin	2
19	36JC0007	Kit lever brake	01170122	"O" ring	1
			JC151006	Indicator	1
			JC151007	Lever brake	1
			39244704	Hex. head bold	1
			39079815	Nut	1
20	36DK0036	Chain sprocket kit	DJ151110	Sprocket (36 teeth)	1
			DK151010	Chain	1
			DV101048	Sprocket Drive	1
21	36DK0034	Kit hardware brake pedal	DK101186	Bolt pivot lever change	1
			DK101185	Washer pivot bolt	1
			DK101187	Collar pivot bolt	1
			39199819	Oil Seal	1
			39238315	Flange nut	1
			DK191014	Spring ear brake switch	1
			Dk191013	Springr brake peddle	1

KIT LIST



Sr. No.	Kit Part No.	Kit Description	Consisting of Following Parts		
			Part No.	Description	Qty./Kit
23	36JC0006	Kit hardware rod bracket	30191038	Pin	1
			39019811	Plain washer	1
			39080808	Split pin	1
			JC191008	Spring	1
			JC191006	Pin	1
			JC191007	Brake adjustment nut	1
24	36DK0018	Kit hardware rod torque	39078912	Spring washer	2
			3079415	Nut lock	2
			39080708	Pin snap	2
			39154011	Plain washer	1
25	36DK0019	Kit hardware holder LH	30191024	Screw	1
			30191017	Nut	1
			39021911	Plain washer	1
			39072504	Hex bold	1
26	36DK0025	Kit outer tube	DK181021	Seal dust	2
			DK181019	Seal oil	2
			DG181088	Ring snap	2
			DK181017	Guide bush	2
27	36DH1601	Grommet kit for side cover	DH161158	Grommet side cover	4
			DH161133	Grommet side cover rear	2
28	36DH4020	Kit hardware mounting bracket	DJ181029	Coller faring mounting	6
			DJ181064	Grommet fearing mounting	6
			39021111	Plain washer	4
			39155204	Flange bold	4
29	36DH4030	Cam Chain Guide Kit	JM171003	Drive Chain Adjuster	2
			JM171004	Cap Drive Chain Adjuster	1
30	36DJ4017	Kit Assly Clutch Cover	39199020	Bearing Needle	2
			CB101220	Plug - Taper :- 6 X 7	2
			39104119	Seal -Oil	1
			31101060	Plug	2
			DH101152	Ring - O :- Oil Level Guage	1
			DG101418	Gauge	1
			DS101215	Clip - Wire	1
			DJ101657	Clutch Cover P2010	1
			DK101738	Decal Cover RH	1

Notes



Notes section with multiple horizontal dashed lines for writing.

SPC Updation Details

Page no.	Fig. no.	Old part no.	New part no.	Description	Updation date	Remarks
68	3	DJ151088	JG131219	Coupling Rubber	30.01.12	Modified for Improvement
68	6	-----	JN131812	Shoe Brake Assly	30.01.12	Non Asbestos implementation
72	21	-----	DJ201246	Clutch Switch	30.01.12	Transil Diode Type
72	9	-----	DJ191083	Clutch Lever	30.01.12	For Transil Diode Type Clutch Switch
2	1	-----	36DJ4028	Cyl. Head with Cover	31.01.12	W/o NRB from Eng. no. BUG20501
6	1	-----	DK101748	Rocker Shaft Intake	31.01.12	W/o NRB from Eng. no. BUG20501
6	2	-----	DK101751	Rocker Shaft Exhaust	31.01.12	W/o NRB from Eng. no. BUG20501
6	3	-----	DK101755	Rocker Arm	31.01.12	W/o NRB from Eng. no. BUG20501
6	8	-----	DH101295	Wave Washer	31.01.12	W/o NRB from Eng. no. BUG20501
6	9	-----	39244011	Plain Washer	31.01.12	W/o NRB from Eng. no. BUG20501
72	23	DK181046	DK181082	H/bar tube assly LH	02.02.12	
72	24	DK181047	DK181086	H/bar tube assly RH	02.02.12	

SPC Updation Details

Page no.	Fig. no.	Old part no.	New part no.	Description	Updation date	Remarks

Part No.	Figure No.	Page No.
22150451	6	52
28101174	14	24
30101014	10	24
30141039	6	80
30151069	5	68
30151095	9	70
30151105	6	68
30161157	2	58
30178001	2	80
30191048	5	86
30201029	7	94
30201085	16	96
30201104	15	96
31101173	4	12
31121006	9	10
31161018	12	82
31181101	15	74
36314002	6	48
39021111	11	56
39029215	8	54
39040048	2	66
39042215	10	58
39071111	7	56
39071601	13	90
39072211	26	68
39074011	8	80
39075201	6	24
39078708	3	58
39079415	24	68
39084001	5	62

Part No.	Figure No.	Page No.
39090012	6	62
39097204	9	40
39099906	11	26
39099906	4	28
39104011	15	46
39104119	4	26
39106204	15	94
39106901	7	54
39107504	9	2
39118011	28	72A
39118415	11	72
39122411	15	50
39122411	12	68
39122515	6	92
39128215	5	52
39128321	6	28
39150711	3	96
39152401	14	90
39155304	12A	72
39155604	18	82
39162011	9	14
39166005	2	4
39167204	3	14
39167204	6	56
39167304	13	8
39167404	9	4
39167404	11	14
39167404	2	38
39167704	19	24
39168004	7	48

Part No.	Figure No.	Page No.
39168004	8	56
39168004	20	72A
39168004	3	88
39168004	11	94
39168004	12	96
39168606	8	14
39168606	4	38
39168904	11	10
39177802	2	84
39178001	11	32
39178301	12	94
39184504	11	22
39188020	4	8
39188020	10	30
39190204	6	44
39190204	8	82
39190701	8	90
39190701	5	94
39193120	6	12
39194304	18	94
39194404	18	42
39195604	4	96
39196704	10	46
39197015	5	36
39197215	6	94
39199020	22	26
39199715	13	50
39199715	14	68
39199819	11	20
39201719	5	6

Part No.	Figure No.	Page No.
39206004	12	58
39213217	5	10
39214124	5	90
39215220	5	14
39215704	7	46
39215811	2	16
39215911	13	16
39216011	9	16
39216511	3	12
39216611	11	16
39218006	8	22
39218006	24	24
39218106	2	10
39218106	18	24
39218304	2	12
39218520	9	24
39218819	4	24
39219019	11	24
39219421	6	38
39220011	16	30
39220307	8	12
39220804	8	92
39224120	2	62
39231004	13	46
39231004	2	100
39231004	7	100
39238104	3	80
39238315	17	20
39238315	5	70
39241204	8	46

Part No.	Figure No.	Page No.
39241204	14	46
39242411	4	82
39242411	19	82
39242704	17	72
39244011	9	6
39244311	18	26
39244811	12	10
39244811	22	24
39245304	6	20
39248415	11	80
39253204	8	2
39253921	6	4
39254220	3	8
39255717	7	14
39256611	15	68
39258204	9	54
39258320	6	22
39260120	9	22
39260320	7	24
39260607	7	18
39260801	11	4
39263904	6	18
39264715	6	2
39268620	1	68
39268720	4	68
39275821	10	80
59010013	4	94
59020001	11	82
59040005	18	74
59040040	3	56

Part No.	Figure No.	Page No.
59040043	11	46
59050008	3	22
59050008	2	24
59100002	1	42
59110002	9	6
59200006	8	24
59200007	16	40
59200027	7	22
59210006	5	24
59210019	4	86
36DH1004	19	26
36DH1005	23	26
36DH1006	8	28
36DH1007	11	28
36DH1601	1	82
36DH1902	15	64
36DH4010	2	34
36DH4011	3	36
36DH4015	14	70
36DH4019	13	12
36DH4020	11	90
36DH4030	5	8
36DH4034	2	78A
36DH4035	1	78A
36DH4037	2	78A
36DH4038	1	78A
36DJ1004	7	6
36DJ4017	1A	26
36DJ4023	4	78A
36DJ4024	4	78A

Part No.	Figure No.	Page No.
36DJ4026	1	26
36DJ4030	2	72
36DJ4030	5	92
36DJ4034	1	2
36DK0009	6	36
36DK0011	4	46
36DK0012	3	50
36DK0013	2	52
36DK0013	6	54
36DK0015	5	34
36DK0023	4	100
36DK0033	1	100
36DK0034	12	70
36DK0036	17	68
36DK0038	9	12
36DK0076	1	40
36DK0077	14	40
36DK0084	3	78A
36DK0088	3	78A
36DS1001	3	2
36DS1001	1	4
36DU1901	12	72
36DV0007	5	48
36JC0006	8	70
36JC0007	9	68
36JC0008	12	78
36JC0009	12	78
36JC0010	12	78
36JC0011	12	78
52DH0153	12	40

Part No.	Figure No.	Page No.
52DH0169	1	38
52DH0177	10	14
52DH0528	2	76
52DH0529	3	76
52DH0530	2	76
52DH0531	3	76
52DH0532	2	76
52DH0533	3	76
52DH0534	2	76
52DH0535	3	76
52DH0624	1A	28
52DH0673	2	76
52DH0674	3	76
52DH0675	2	76
52DH0676	3	76
52DH0682	7	78
52DH0683	7	78
52DH0686	1	28
52DJ0357	8	78
52DJ0358	9	78
52DJ0359	8	78
52DJ0360	9	78
52DJ0361	8	78
52DJ0362	9	78
52DJ0363	8	78
52DJ0364	9	78
52DJ0390	1	26
52DJ0408	8	78
52DJ0409	9	78
52DJ0449	12	80

Part No.	Figure No.	Page No.
AA101437	24	16
AA101437	4	22
AA121045	4	34
AL201012	11	96
BA122003	13	80
CL201023	15	90
CS101128	1	8
CS101128	14	8
DD101062	15	8
DD111012	16	42
DD111048	14	42
DD121007	8	10
DD141227	7	80
DE151008	15	62
DE151037	6	66
DE151043	7	66
DE151045	8	66
DE151046	4	66
DE151047	5	66
DE151048	3	66
DE191010	5	64
DE191011	4	64
DE191043	1	64
DF161102	9	58
DF181098	4	90
DG101029	4	6
DG101418	8	26
DG101498	11	2
DG101498	16	24
DG111008	8	42

Part No.	Figure No.	Page No.
DG141028	15	80
DG151005	4	62
DG151007	12	62
DG151008	9	62
DG151049	10	62
DG161121	3	82
DG161124	7	36
DG171018	5	50
DG171019	7	50
DG171020	12	50
DG171021	11	50
DG171022	14	50
DG171034	10	50
DG171038	2	50
DG181008	5	72
DG181008	20	74
DG181042	4	48
DG181045	24	74
DG181048	3	48
DH101006	5	22
DH101018	12	26
DH101048	8	8
DH101064	10	12
DH101065	12	12
DH101072	2	14
DH101079	4	16
DH101084	8	16
DH101111	15	16
DH101141	5	26
DH101142	3	26

Part No.	Figure No.	Page No.
DH101143	2	20
DH101144	3	20
DH101146	3	18
DH101154	13	26
DH101157	5	28
DH101163	15	40
DH101172	7	40
DH101180	15	30
DH101195	11	12
DH101197	2	26
DH101199	5	42
DH101203	12	24
DH101235	5	16
DH101246	13	24
DH101272	10	2
DH101275	1	30
DH101295	8	6
DH101302	9	36
DH101319	18	16
DH101323	10	28
DH101333	19	16
DH101373	12	14
DH101380	7	42
DH101381	4	42
DH101385	5	40
DH101386	3	42
DH101388	20	26
DH101388	9	28
DH101389	13	40
DH101390	20	24

Part No.	Figure No.	Page No.
DH101392	11	8
DH101393	7	20
DH101394	10	20
DH101412	7	8
DH101414	10	10
DH101424	6	14
DH101432	4	14
DH101468	2	36
DH101482	24	26
DH101487	10	22
DH101493	4	18
DH101496	9	18
DH101503	8	20
DH101508	4	4
DH101509	5	20
DH101510	25	26
DH101521	8	36
DH101544	17	26
DH101581	4	40
DH101608	10	36
DH101648	14	30
DH101661	15	24
DH101705	1	20
DH101861	8	30
DH111012	10	4
DH111013	10	42
DH111013	17	42
DH111015	15	42
DH111016	19	42
DH111081	2	42

Part No.	Figure No.	Page No.
DH111083	6	42
DH111084	10	40
DH121010	3	38
DH121011	15	26
DH121012	16	26
DH121035	5	38
DH121038	8	4
DH121101	9	32
DH121149	3	32
DH121150	13	32
DH141020	6	76
DH141021	16	80
DH141023	6	82
DH141024	14	80
DH141031	2	82
DH151029	10	70
DH161046	3	44
DH161053	4	52
DH161056	7	52
DH161066	7	58
DH161100	11	54
DH161112	2	48
DH161121	4	58
DH161145	5	58
DH161146	8	58
DH161189	2	46
DH161189	16	46
DH161190	3	46
DH161190	17	46
DH161273	9	46

Part No.	Figure No.	Page No.
DH161283	2	88
DH161293	2	94
DH161293	16	94
DH171019	8	50
DH171019	8	62
DH171019	13	68
DH181009	12	74
DH181052	10	90
DH191007	13	72
DH191008	14	72
DH191017	25	72A
DH201040	17	90
DH201065	13	58
DH73032V	4	76
DH73034K	4	76
DH73034L	4	76
DH73034M	4	76
DH73035L	4	76
DH74014K	7	78
DH74014L	7	78
DH74014M	7	78
DH74015C	7	78
DJ101004	1	10
DJ101012	3	4
DJ101063	23	16
DJ101064	4	36
DJ101106	4	10
DJ101158	3	10
DJ101215	5	4
DJ101217	2	2

Part No.	Figure No.	Page No.
DJ101271	1	28
DJ101350	3	30
DJ101369	6	30
DJ101371	6	10
DJ101372	2	8
DJ101389	1	22
DJ101390	1	2
DJ101391	1	36
DJ101420	1	36
DJ101672	1	22
DJ111092	9	42
DJ121022	7	4
DJ121041	1	32
DJ121044	4	32
DJ121051	2	32
DJ121053	5	32
DJ121054	6	32
DJ121055	7	32
DJ121056	8	32
DJ121057	12	32
DJ121059	14	32
DJ121068	3	34
DJ121070	10	32
DJ121071	1	34
DJ141008	7	82
DJ141061	13	78
DJ151074	9	66
DJ151075	10	66
DJ161069	1	56
DJ161072	9	94

Part No.	Figure No.	Page No.
DJ161079	8	100
DJ161080	9	100
DJ161122	5	54
DJ161126	1	52
DJ161127	3	52
DJ161128	3	54
DJ161129	4	54
DJ161132	8	48
DJ161133	9	48
DJ161186	10	54
DJ161228	13	28
DJ161229	12	90
DJ161247	6	96
DJ161272	10	56
DJ161304	10	78
DJ161305	10	78
DJ161306	10	78
DJ161307	10	78
DJ161313	10	78
DJ161324	2	54
DJ171035	4	50
DJ181011	16	72
DJ181033	3	90
DJ181037	7	90
DJ181069	16	90
DJ181083	19	94
DJ181119	3	84
DJ181120	2	90
DJ191027	6	64
DJ191028	7	64

Part No.	Figure No.	Page No.
DJ191029	8	64
DJ191030	9	64
DJ191031	10	64
DJ191034	13	64
DJ191035	14	64
DJ191054	8A	72
DJ191055	9	72
DJ191056	11	64
DJ191057	3	64
DJ191061	1	86
DJ191071	1	84
DJ191081	8A	72
DJ191082	8	72
DJ191083	9	72
DJ201020	9	96
DJ201021	21	24
DJ201028	11	96
DJ201049	7	92
DJ201050	7	92
DJ201072	9	90
DJ201106	13	58
DJ201108	16	64
DJ201109	12	64
DJ201126	5	96
DJ201140	14	96
DJ201159	5	84
DJ201174	4	84
DJ201176	1	90
DJ201181	5	92
DJ201195	21	72A

Part No.	Figure No.	Page No.
DJ201202	11	42
DJ201205	7	96
DJ201206	2	92
DJ201206	3	92
DJ201207	1	92
DJ201207	4	92
DJ201246	21	72A
DJ221003	30	72A
DJ221004	31	72A
DJ71075F	1	76
DJ71075G	1	76
DJ72012V	1	76
DJ72014K	1	76
DJ72014L	1	76
DJ72014M	1	76
DJ72015C	1	76
DJ74012V	7	78
DJ902503	1	14
DK101072	12	30
DK101094	3	24
DK101097	23	24
DK101102	6	16
DK101103	3	16
DK101104	7	16
DK101105	12	16
DK101106	14	16
DK101107	17	16
DK101118	16	16
DK101126	13	30
DK101135	10	18

Part No.	Figure No.	Page No.
DK101144	10	16
DK101159	1	18
DK101160	2	18
DK101176	6	40
DK101177	16	20
DK101180	13	20
DK101182	4	20
DK101185	14	20
DK101185	3	70
DK101186	15	20
DK101187	12	20
DK101187	4	70
DK101245	20	16
DK101248	7	12
DK101251	7	26
DK101253	9	20
DK101326	6	6
DK101352	21	16
DK101361	8	18
DK101380	17	24
DK101382	5	18
DK101386	9	8
DK101471	1	16
DK101480	14	12
DK101480	14	26
DK101564	4	30
DK101565	7	30
DK101569	5	30
DK101570	17	30
DK101571	2	30

Part No.	Figure No.	Page No.
DK101573	11	30
DK101574	9	30
DK101592	7	10
DK101605	2	40
DK101636	15	30
DK101738	21A	26
DK101748	1	6
DK101751	2	6
DK101755	3	6
DK101762	7	28
DK101770	12	40
DK141001	4	80
DK141013	5	80
DK141014	1	80
DK141015	21	82
DK141017	20	82
DK151008	13	62
DK151009	10	68
DK151012	19	68
DK151013	20	68
DK151014	11	68
DK151015	23	68
DK151022	2	68
DK151026	5	60
DK151027	7	62
DK151028	3	62
DK151036	25	68
DK151039	2	60
DK151040	4	60
DK151054	1	66

Part No.	Figure No.	Page No.
DK151057	2	64
DK161085	9	56
DK161086	5	56
DK161096	1	46
DK161098	2	56
DK161122	1	58
DK161123	9	82
DK161124	10	82
DK161137	1	54
DK161147	5	100
DK161148	6	100
DK161153	3	94
DK161159	5	46
DK161160	6	46
DK161161	12	46
DK161176	3	100
DK161209	6	84
DK161250	1	88
DK161308	1	54
DK171003	9	50
DK171006	6	50
DK171014	1	50
DK181006	7	74
DK181007	6	74
DK181008	30	74
DK181009	33	74
DK181010	8	74
DK181011	10	74
DK181012	31	74
DK181013	32	74

Part No.	Figure No.	Page No.
DK181017	28	74
DK181018	17	74
DK181019	3	74
DK181020	29	74
DK181021	2	74
DK181022	13	74
DK181023	14	74
DK181024	25	74
DK181025	26	74
DK181026	27	74
DK181027	1	72
DK181027	19	74
DK181036	22	72A
DK181036	29	72A
DK181038	3	72
DK181039	4	72
DK181056	4	74
DK181057	5	74
DK181058	27	72A
DK181060	4	72
DK181062	3	72
DK181063	1	72
DK181070	9	74
DK181071	16	74
DK181072	1	74
DK181073	11	74
DK181081	4	72
DK181082	23	72A
DK181085	3	72
DK181086	24	72A

Part No.	Figure No.	Page No.
DK191013	6	70
DK201003	1	94
DK201037	1	96
DK201038	2	96
DK201065	9	80
DK201078	13	96
DK211001	1	44
DK211004	4	44
DK211007	7	44
DK211008	5	44
DK221011	1	98
DK221024	2	98
DK73042V	5	76
DK74022T	5	76
DK74023A	5	76
DK7402X3	5	76
DL181010	6	90
DL191014	10	72
DP161144	13	94
DP161145	10	94
DS101096	5	2
DS101154	5	12
DS101166	4	2
DS101215	9	26
DS101263	6	26
DS101276	6	8
DS101316	7	2
DS101333	3	6
DS101335	1	6
DS101336	2	6

Part No.	Figure No.	Page No.
DS101353	10	26
DS101353	3	28
DS101353	12	28
DS101353	11	40
DS101366	8	6
DS151073	22	68
DS151074	18	68
DS161125	4	56
DS161224	7	48
DS191052	15	72
DS191052	18	72
DS211004	8	44
DS211005	2	44
DV101042	2	28
DV101048	22	16
GH201012	7	92
JC101001	1	12
JC101029	2	22
JC101033	7	28
JC101034	12	8
JC101035	10	8
JC101040	21	26
JC101045	1	24
JC101086	3	8
JC101114	3	40
JC101115	8	40
JC111022	12	42
JC111023	13	42
JC141015	15	82
JC141016	17	82

Part No.	Figure No.	Page No.
JC141017	16	82
JC141050	11	78
JC141051	11	78
JC151002	8	68
JC151005	7	68
JC151007	27	68
JC151008	11	70
JC151010	3	60
JC151011	16	68
JC151013	1	60
JC151013	1	62
JC151016	21	68
JC151020	11	62
JC161002	2	54
JC161014	11	48
JC161015	10	48
JC161017	6	58
JC161031	1	48
JC181022	22	74
JC181023	21	74
JC181024	23	74
JC181025	17	94
JC181026	14	94
JC181029	26	72A
JC181029	5	82
JC191001	1	70
JC191002	7	70
JC191004	3	86
JC191009	2	70
JC201004	13	70

Part No.	Figure No.	Page No.
JC201004	8	96
JC201016	10	96
JC201017	6	72
JC201018	7	72
JC201027	17	96
JC201039	11	58
JC201043	2	86
JC201045	19	72
JC201046	14	62
JD171018	14	82
JE541212	10A	28
JG131219	3	68
JM171003	11	50
JM171004	12	50
JN131812	6	68
JW171007	13	82
JW401011	8	94
LAC00020	27	72A

Part No.	Figure No.	Page No.
----------	------------	----------

Part No.	Figure No.	Page No.
----------	------------	----------